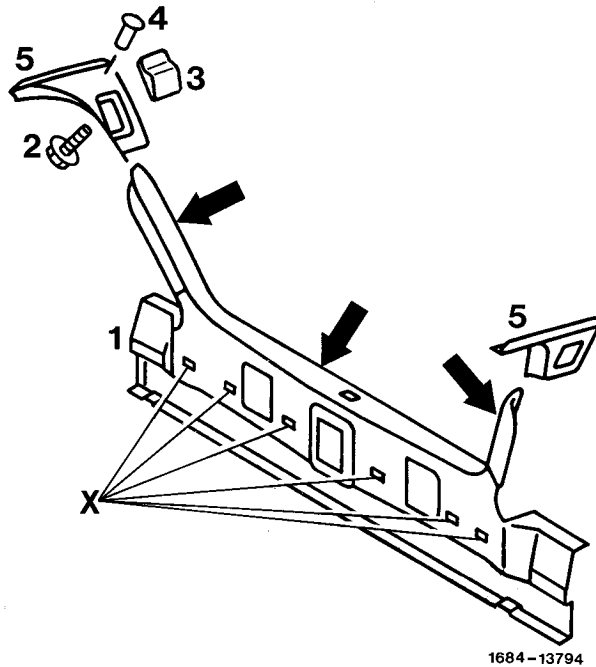


68-485 Removal and installation of trim on rear center piece



Trim (1)	clip out - in with plastic wedge (arrow) and screwdriver (x)
Trim (1) in forward direction	remove and install
Screw (2)	screw 2 each out - in
Stop (3)	remove and mount
Plastic rivet (4)	remove and install 2 each
Trim (5)	remove and mount

Note: Broken off plastic hooks (x) can be replaced with plastic dowels, part no. 001 997 39 86.

Coordinates

Survey of items

No.	Item	B	14
68-87021	Lining in cargo space, left, closes poorly, hooks for hanging up break	B	14
68-88021	Noises in belt height adjustment	C	14
68-88051	Spare wheel lining (modified version) cannot be locked on vehicles manufactured prior to 10/86	D	14
68-89121	Noises in belt height adjustment	E	14
68-90071	Scissors-type roller blind does temporarily not attain the fully retracted position	E	14

68 Lining

68-87021 Lining in cargo space, left, closes poorly, hooks for hanging up break.

Model -
124
T-sedan

Cause

Lining not stiff enough.

Remedy

Install modified lining, part no. 124 690 78 25 (standard), part no. 124 690 79 25 (with load anchoring system). For this purpose, remove lug at top of lining. The lug is in the area of front locks.

Note

Vehicles as of production date 26.11.86 and vehicle ident end no. 1F 027 289 are in order.

68 Lining

68-88021 Noises in belt height adjustment.

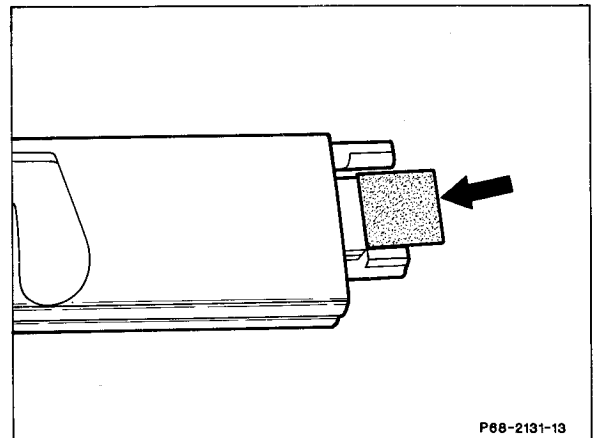
Model 124 -
sedan

Cause

Too much clearance of slide in center pillar lining.

Remedy

Glue felt to link of slide.



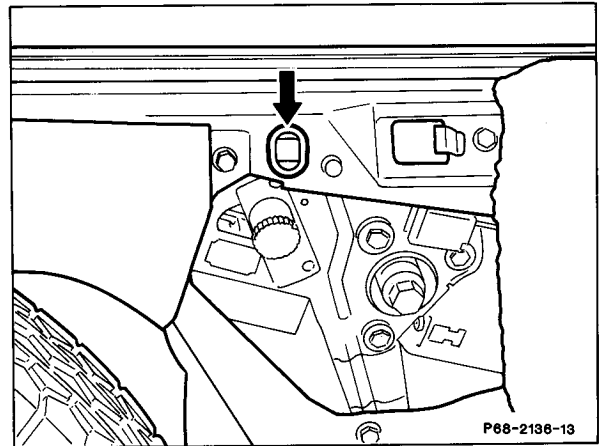
68 Lining

68-88051 Spare wheel lining (modified version) cannot be locked on vehicles manufactured prior to 10/86.

Model 124
T-sedan

Cause

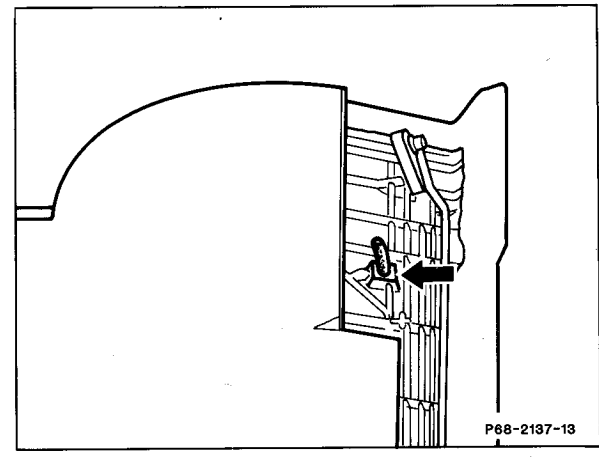
Oval opening in side wall for plastic bolt on lining missing (Fig.).



Remedy

Cut off plastic bolt on lining (Fig.).

Production breakpoint of oval opening in side wall: 10/86 or vehicle ident end no. F 023 266.



68 Lining

68-89121 Noises in belt height adjustment.

Model 124 as of
approx. 05/89

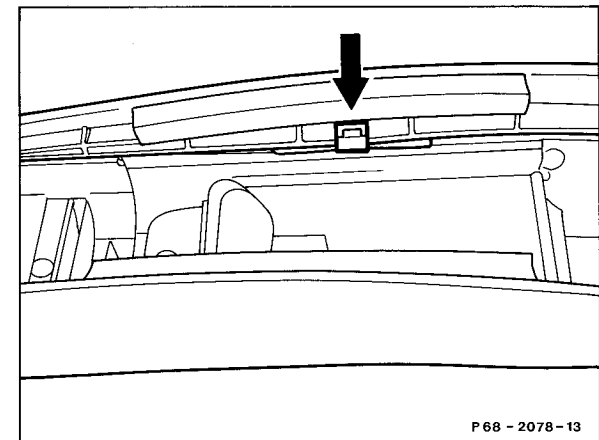
Cause

Too much play of slide in center pillar lining.

Remedy

Install holding clamps (2 each), part no. 124 988 93 78, in center of slide guide.

Production breakpoint: 10/89



68 Scissors-type roller blind for rear window

68-90071 Scissors-type roller blind does temporarily not attain the fully retracted position.

Model 124
sedan as of
approx. 01/90

Cause

1. Upper cover above roller blind blocks roller blind during retraction.
2. The sliding rollers on upper roller blind cross bar for support in the upper range are not continuously running along rear window, so that the scissors will press against the roller blind lining during retraction.

Damage code for warranty/goodwill claim: 81 046 16

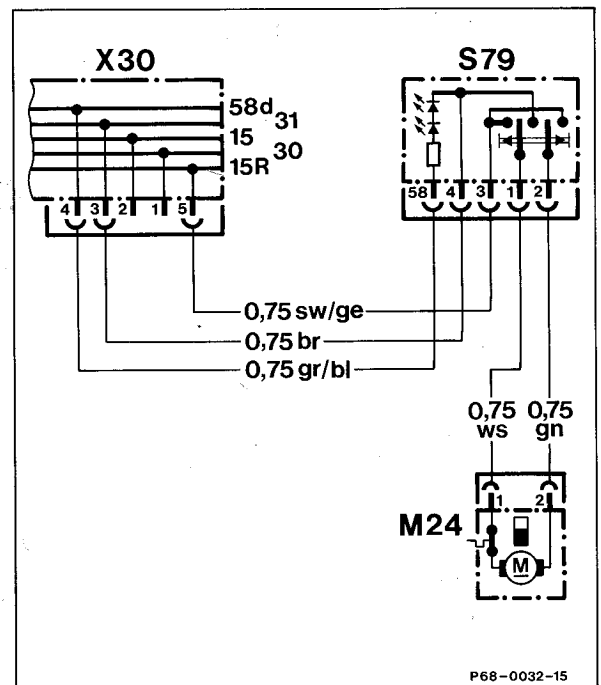
Remedy

1. Press down upper cover above roller blind in correct position.
2. Remove roller blind, then connect roller blind and extend. Bend both scissors slightly toward the rear, reinstall roller blind. If remedial measures prove to be ineffective, inquire further measures from KD-50 telephone 07031/90-5514 or 2343.

Note

If on vehicles with head restraints the roller blind is not completely attaining the retracted position, the head restraints cannot be lowered, since the head restraints lowering device is connected to the roller blind by means of a microswitch.

Wiring diagram electric scissors-type roller blind for rear window (without head restraints, as of approx. 01/90)



M24 Rear window roller blind motor
S79 Rear window roller blind switch
X30 Plug connection block for optional equipment

Wiring diagram head restraints (as of approx. 01/90)

- S52 Rear head restraint release switch
- S79/3 Rear window electric roller blind microswitch
- X30 Plug connection block for optional equipment
- Y24/2 Head restraint release valve with release delay

