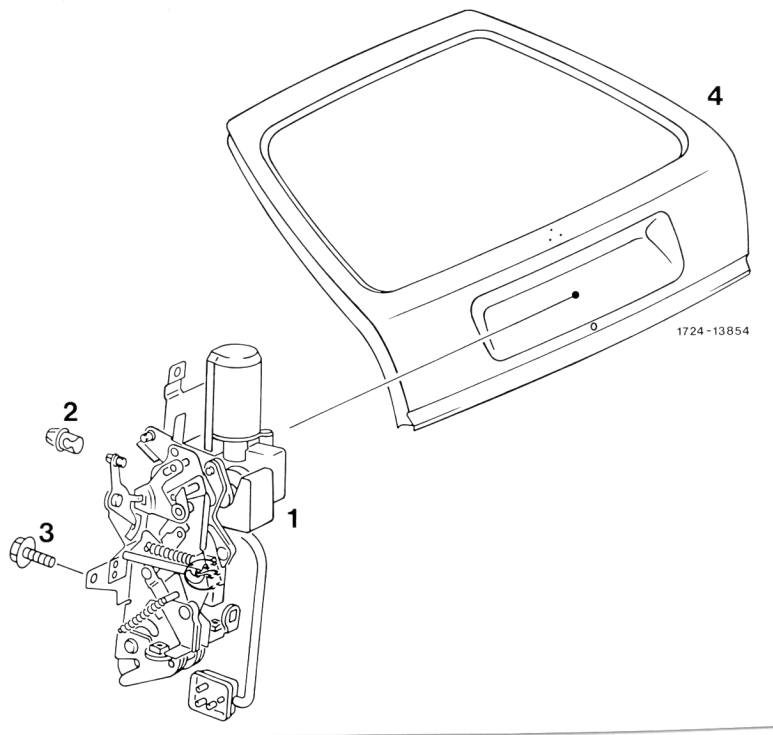


72-255 Removal and installation of door lock on tailgate (T-sedan)

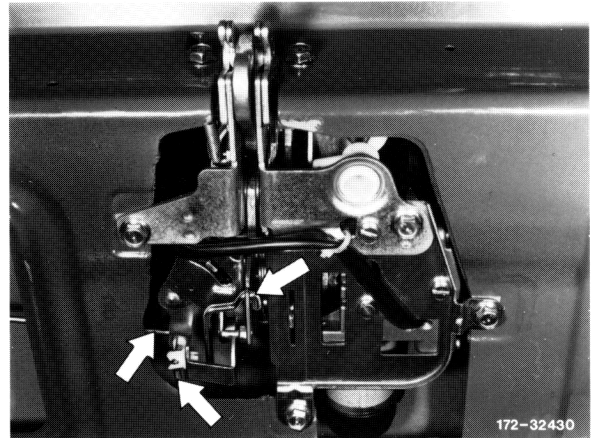
Door lining on tailgate removal (72-105)



1	Tailgate lock	remove and install
2	Clip	replace if damaged
3	Screw	screw out and in
4	Tailgate	check adjustment (72-351)

Remove and install

1 Disengage locking linkage, linkage of central locking system as well as linkage of inside door opener on door lock.



- 2 Pull off electric connection and unscrew fastening screws (5 each).
- 3 Remove door lock.
- 4 For installation proceed vice versa.
- 5 Check adjustment of tailgate and adjust, if required (72-351).

