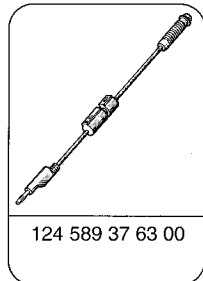


72-275 Checking and replacing motor (T-sedan)

Door lock on tailgate removed (72-255)

Special tools



Test condition:

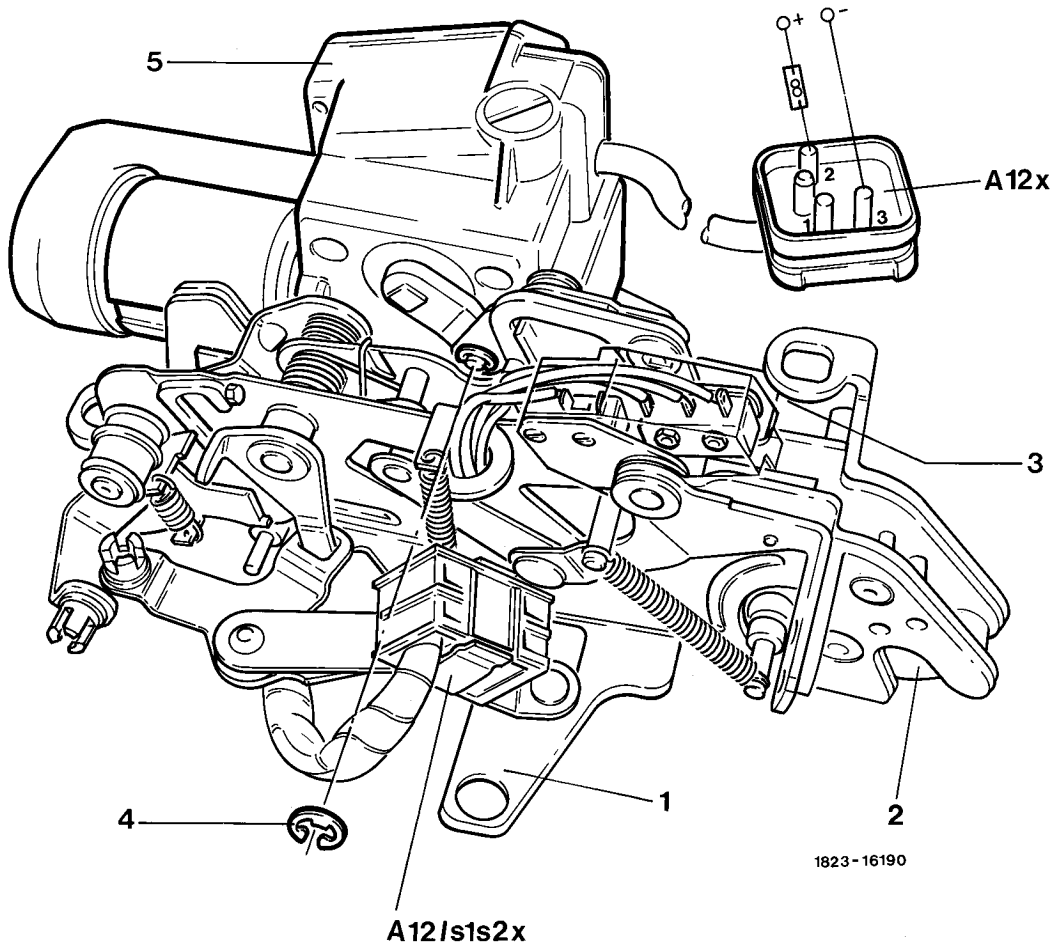
Battery voltage on plug connection tailgate closing assist (A 12x) bushing 2 (+) and bushing 3 (-) available.

Complaint:

Closing assist not functioning.

A. Testing motor

Microswitch tested (72-270)



- Door lock on spot identified on drawing with 1
in vise clamp
- Battery voltage using electric connecting set and
fused line according to drawing to A 12x connect
- Rotary latch (2) into first detent push

Caution, risk of injury!

- Motor is running and pulls rotary latch into main
detent via gear unit.
- Upon rotation (approx. 200°) of gear unit shaft, the
motor is switched off.
- Button (3) or button for opening lock push

Motor is running and forces rotary latch via gear unit into position "open". Upon rotation (approx. 160°) of gear unit shaft, the motor is switched off.

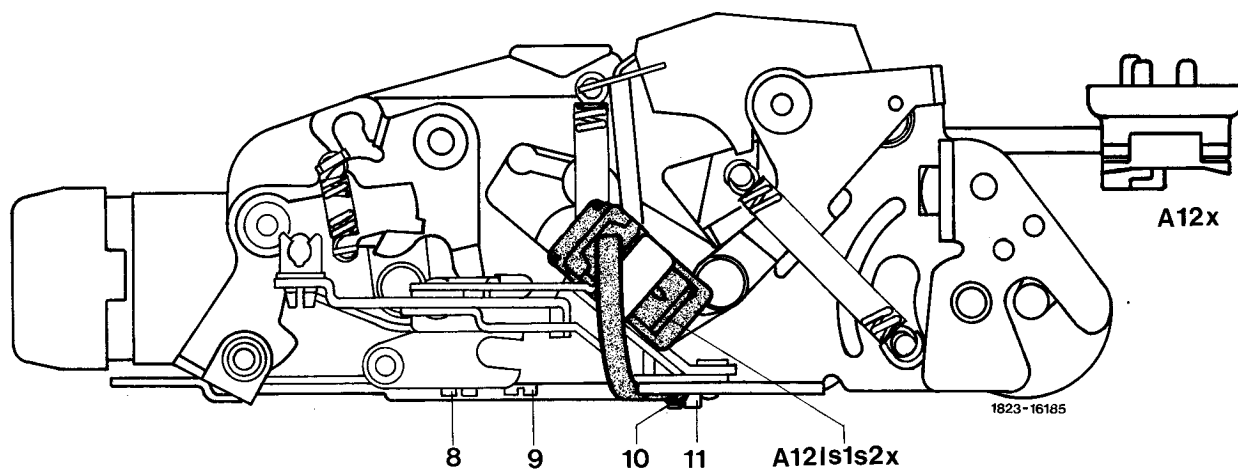
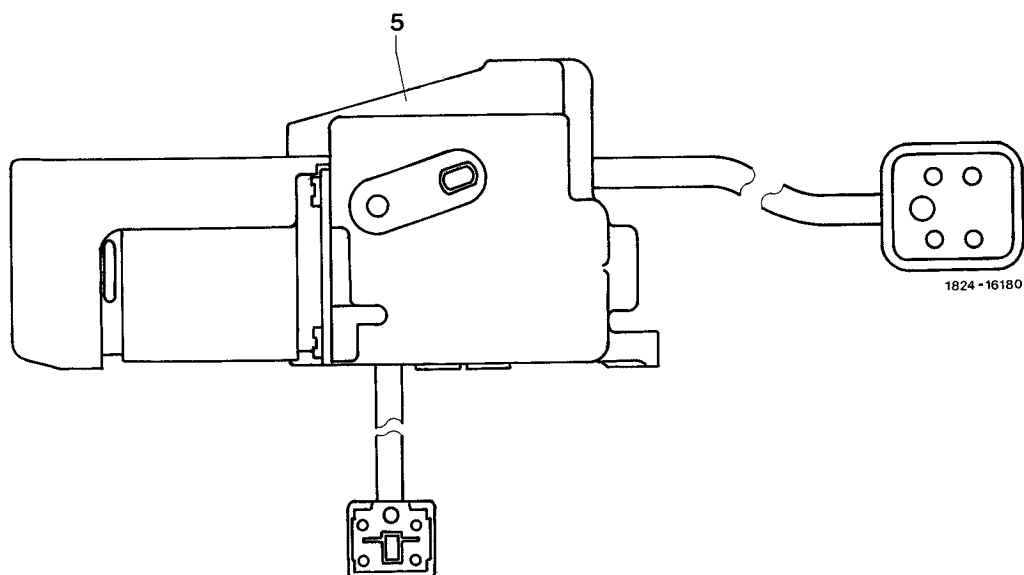
Test procedure repeat

If the motor is not starting:

on 1st version up to 06/86 (without plug connection A12s1s2x) complete lock replace

on 2nd version as of 06/86 (with plug connection A 12s1s2x), only motor with gear unit replace

B. Replacing motor

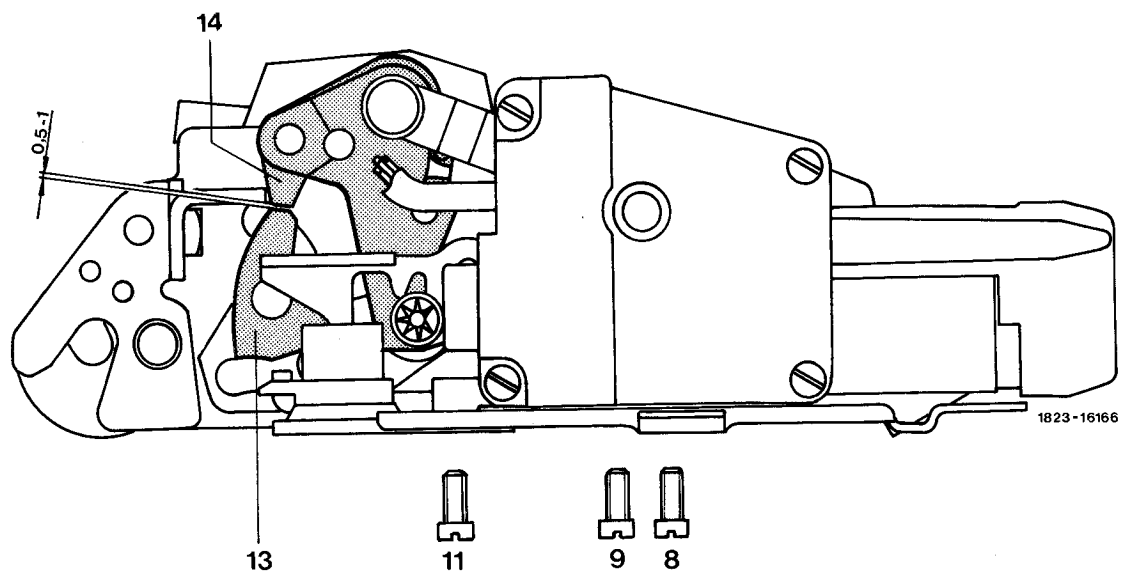


Fuse (4) (refer to Fig. Testing motor)	push off
Plug connection microswitch (A 12s1s2x)	disconnect
Cable band (10)	open
Screws (8, 9, 11)	unscrew
Motor with gear unit (5)	remove

Install in vice-versa sequence.

Pay attention to adjusting note.

Adjusting note



Upon installation of motor, the moving parts (13, 14) of gear unit must be set to a distance of 0.5-1 mm via oblong holes by means of screws (8, 9, 11) of gear unit fastening system.