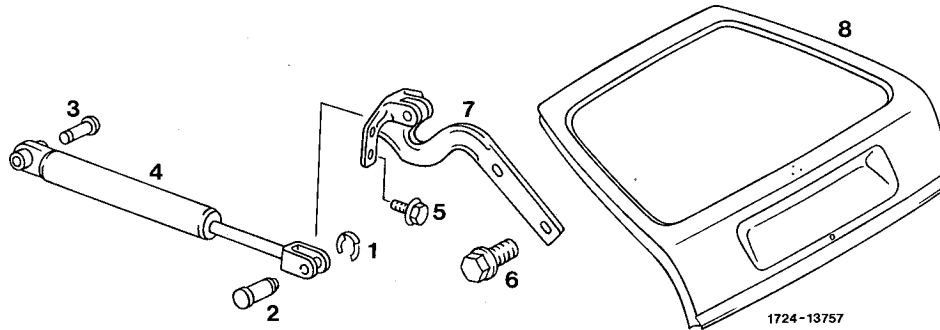


72-360 Removal and installation of gas pressure spring on tailgate

Trim on roof frame rear removed (68-447)

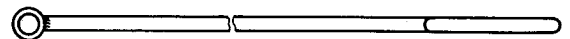
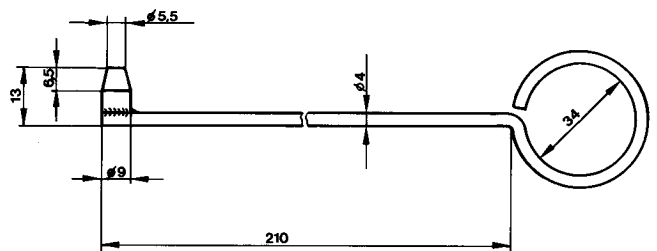


- | | |
|---------------------|--|
| 1 Safety clip | remove and install |
| 2 Bolt | push out and in |
| 3 Bolt | unbend sheet metal lock and pull out bolt by means of pliers, remove in forward direction (pay attention to installation note) |
| 8 Tailgate | protect with support and disengage headlining in lateral direction |

Self-made tool

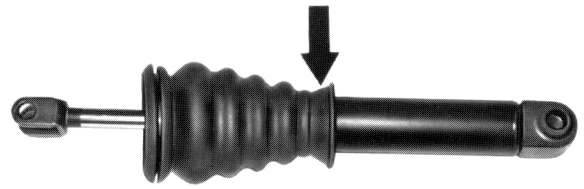
Assembly bolt

May be used as assembly aid when mounting the bolt (2) on tailgate hinge.



Installation note

When installing the gas pressure spring, make sure that the rubber sleeve is placed over cylinder of gas pressure spring. For easier assembly, coat rubber sleeve with soap solution.



172-32556
