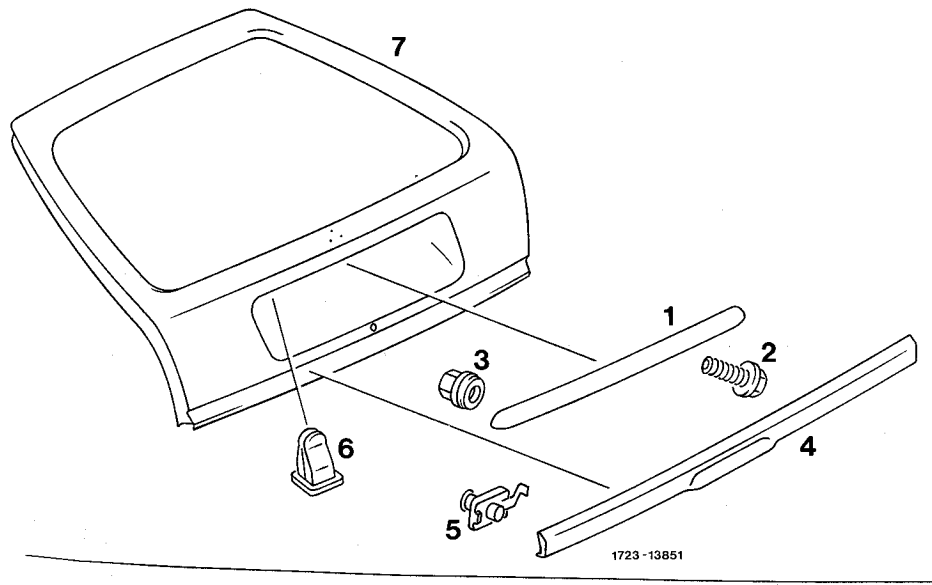


72-365 Removal and installation of ledge grips on tailgate

Door lining on tailgate removed (72-105)



Ledge grip, top

- | | |
|-------------------------|----------------------------------------------|
| Screw (2) | screw 4 each out and in |
| Nut (3) | screw 2 each out and in from door inner side |
| Ledge grip (1) | remove |
| Plastic dowel (6) | insert 4 each into tail gate |

Ledge grip, bottom

- | | |
|------------------------|----------------------------------------------------------------------------------------|
| Ledge grip (4) | slide to the right and remove |
| Plastic clip (5) | insert 6 each into tail gate |
| Ledge grip (4) | engage with links on door rebate below and
slide to the left onto plastic clips (5) |