

77-305 Removal and installation of soft top (hydraulically contr. soft top)

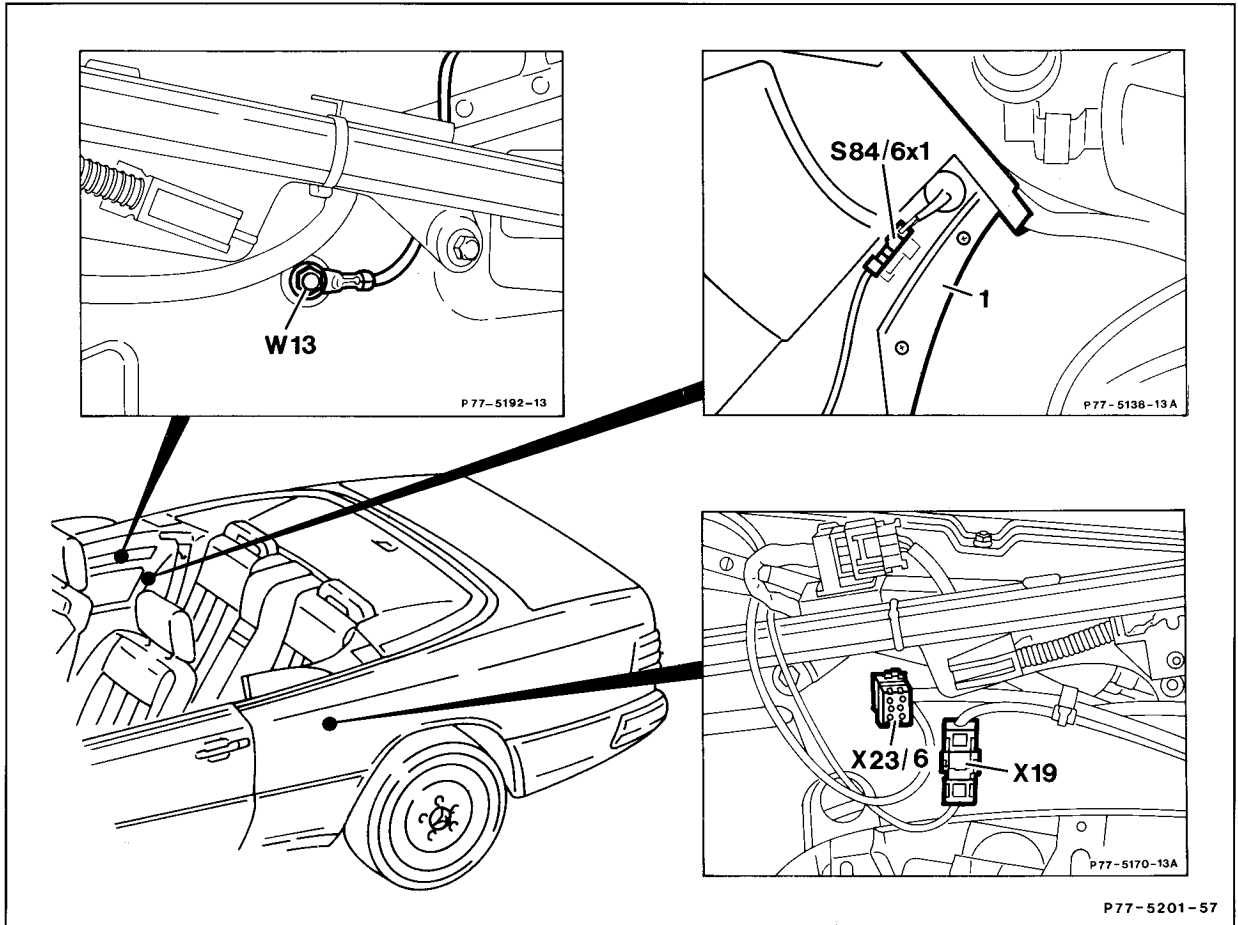
Preliminary work:

Removal and installation of rear seat bench and rear backrests (91-170).

Removal and installation of side wall panelling in rear (68-456, do not separate plug connections).

Removal and installation of seat belt extenders (do not separate plug connections)

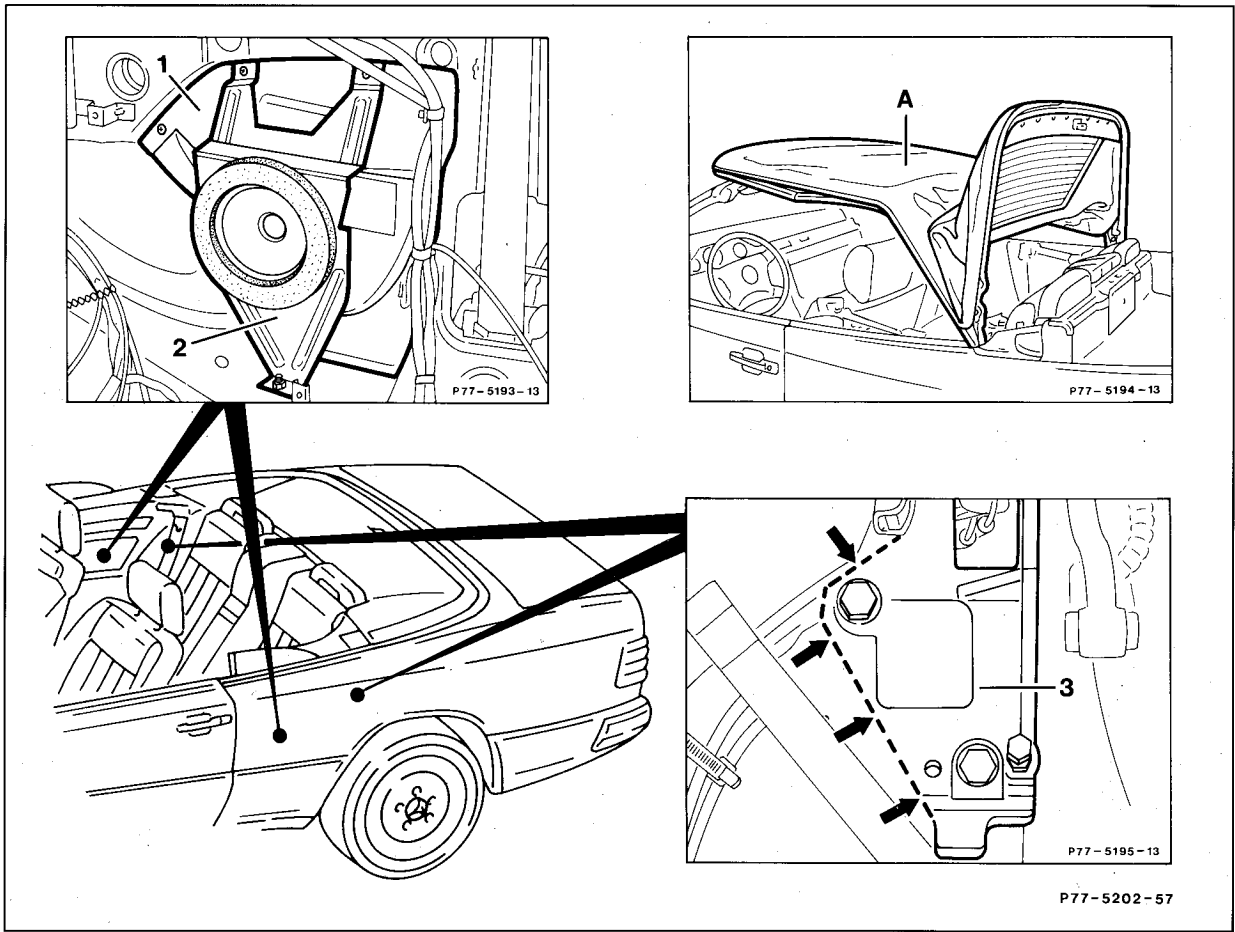
Operation no. of operation texts and work units or standard texts and flat rates:



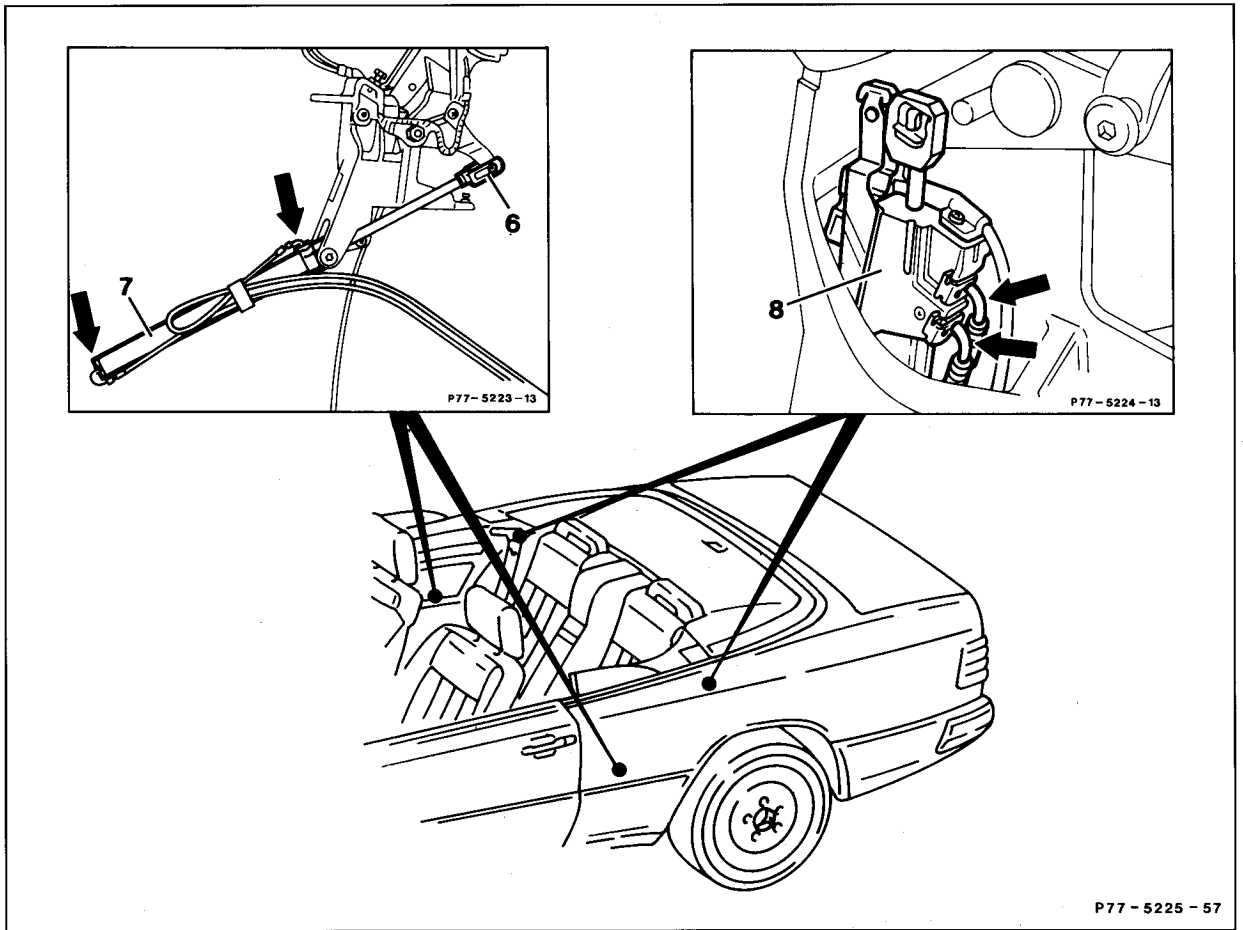
Soft top	put down in soft top compartment.
Ground point W13	unscrew, screw on.
Plug connections S84/6x1, S23/6, X19	disconnect, connect.
Disconnected plug connection S84/6x1	push through covering (1)
Cable straps	open, close.



Remove ignition key to prevent unintentional actuation of soft top switch.



- | | |
|--------------------------------------|--|
| Loudspeaker bracket (2) | remove, install. |
| Covering (1) | remove, install. |
| Soft top | open and close completely approx. 8 times by hand. |
| Soft top | move to position "A". |
| Position of soft top mount (3) | mark with felt tip pin. |



Bolt (6) on hydraulic cylinder (7) remove, install, press piston rod in completely.

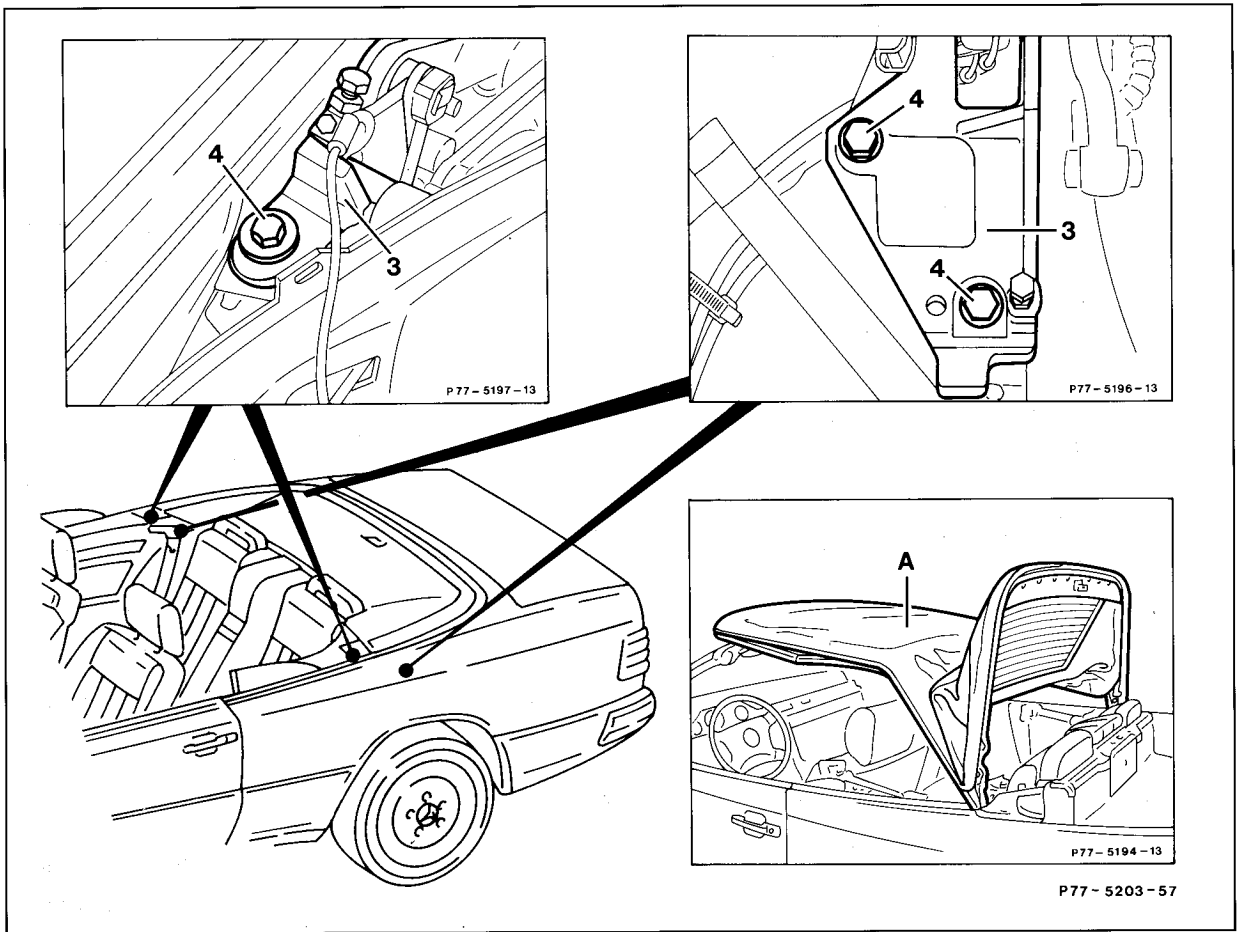


When installing insert the bolt from the outside (fender side).

Hydraulic lines (arrows) disconnect from hydraulic cylinders (7, 8), reconnect.



Mark hydraulic lines on hydraulic cylinders (8) to prevent mixing up. Plug separated hydraulic lines with plugs 129 589 00 91 00 and connections on hydraulic cylinders with plugs 129 589 00 91 11 immediately (to prevent contamination).



- | | |
|---------------------------------------|--|
| Screw (4) on soft top mount (3) | screw out, screw in. |
| Soft top | lift to position "A" with aid of second mechanic, lower. |
| Soft top compartment cover | have closed by third mechanic, open. |
| Soft top | remove over rear of vehicle, set on. |



When lifting out the soft top pay attention to the washers between the soft top mount (3) at the front and the B-pillar.

Do not mix up left and right spacers below soft top mount (3). If the B-pillar has been replaced using the portal gauge 129 589 03 23 00, the spacers are no longer required.

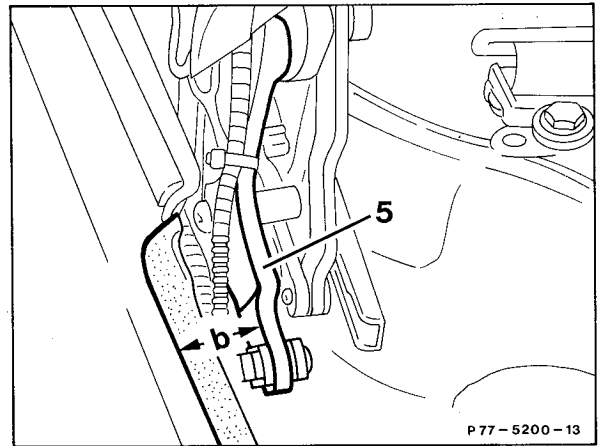
Note

After inserting soft top into body position on markings and screw in screws, do not tighten.

Center top between left and right fenders so that distance (dimension b) to main pillar (5) is equal. Tighten bolts in soft top mount.

Check soft top adjustment according to repair instructions 77-310, correct adjustment if required.

Check fluid level in hydraulic system for soft top and roll-over bar, correct, see Maintenance Manual, Volume 2, 7710.



Special tool

