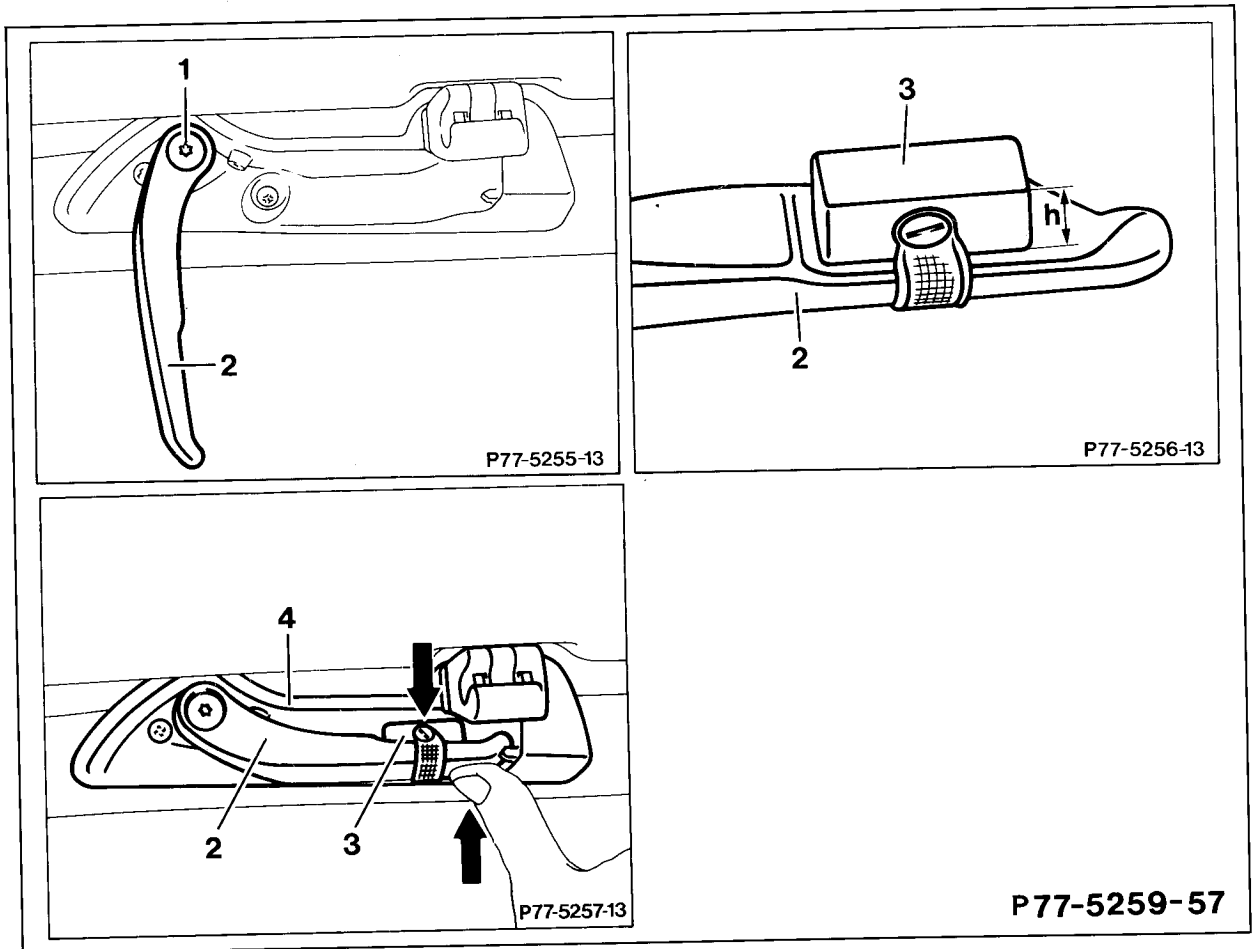


77-334 Adjustment of handle on catch

Note
Perform adjustment work in order specified.



- | | |
|--------------------------|--|
| Catches | open and push soft top frame up. |
| Cover on screw (1) | remove, press on. |
| Screw (1) | loosen until handle (2) can be pulled off tapered shaft. |
| Soft top frame | pull down until catch pins catch in first detent. |
| Handle (2) | install in horizontal position and completely lock soft top. |

Screw (1)

loosen again, until handle (2) can be pulled off tapered shaft.



Do not open catch when detaching handle (2) from tapered shaft. The main catch must remain locked.

Handle (2)

turn to vertical position, tighten screw (1) until resistance is present (tapered shaft starts to engage).

Adjustment gauge (3)

attach to handle (2) and turn handle (2) in locking direction until adjustment gauge (3) makes contact with the handle shell (4) at the top.

Screw (1)

tighten (10 ± 2 Nm).



Do not turn the position of the handle.

Shop-made tool

Adjustment gauge

a	Rubber strap
b	15 mm
h	12.5 mm
l	31 mm

