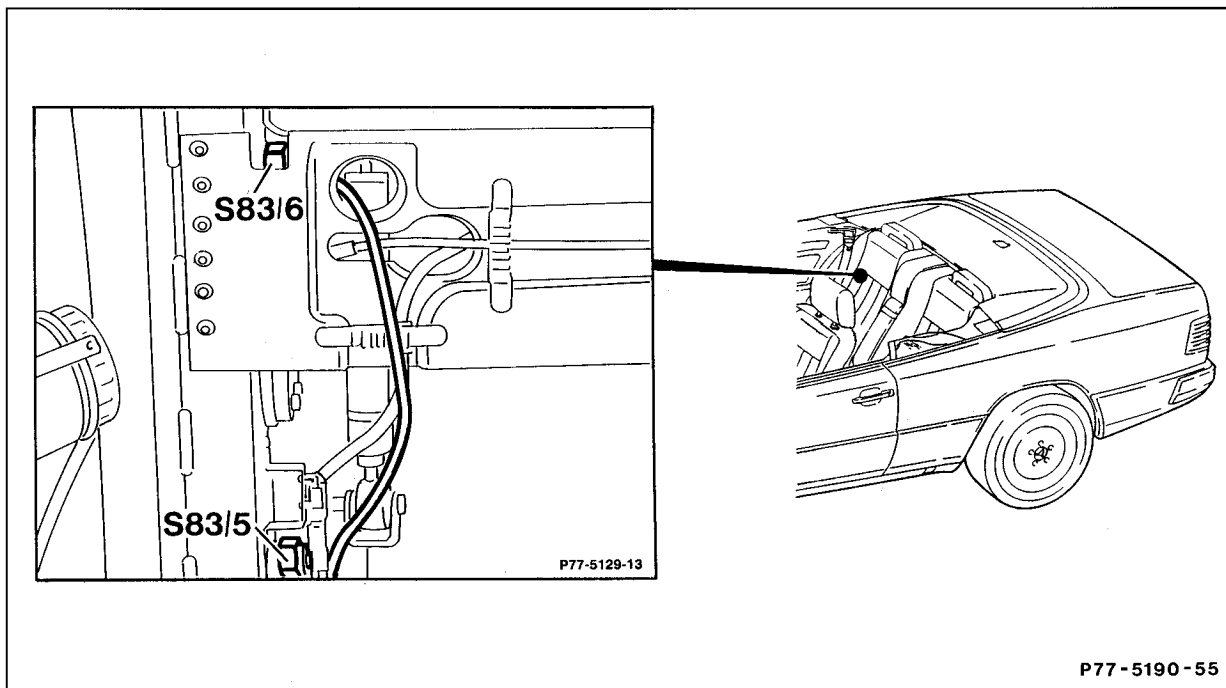


77-402 Removal and installation of roll-over bar retracted and extended switches

Preliminary work:
Rear seat removed (91-170)

Operation no. of operation texts and work units or standard texts and flat rates:



Ignition/starter switch	turn to position 2.
Roll-over bar	extend.
Ignition/starter switch	turn to position 0.
Ground lead on battery	disconnect, connect.
Plug connections (on switches S83/5, 6)	disconnect, connect.
Roll-over bar retracted switch (S83/5) and roll-over bar extended switch (S83/6)	unscrew, screw on (observe position of plug connector).