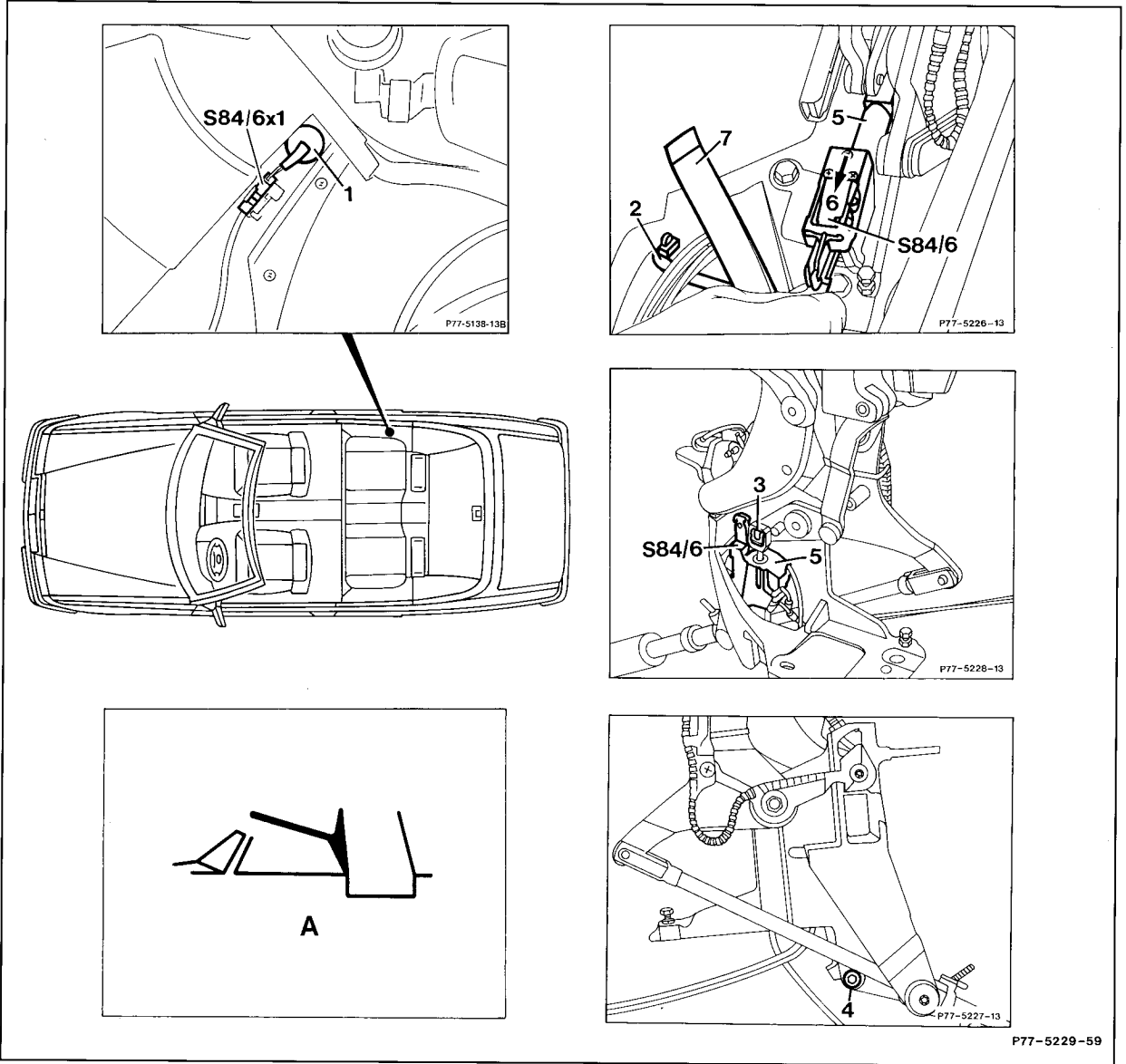


77-435 Removal and installation of soft top bow "up" (raised) switch

Preliminary work:
Side wall panelling in right rear removed (68-456).

Operation no. of operation texts and work units or standard texts and flat rates:



Soft top compartment cover	open, close.
Soft top bow	put up (position A), put down.
Right rear side window	closed.
Ignition key	remove.

Plug connection, soft top bow "raised" switch (S84/6x1)	disconnect, connect.
	Installation note
	Before installing soft top bow cylinder, fasten cord to plug connection (S84/6x1) (for pulling in wire).
Rubber grommet (1)	pull off of plug connection, pull over.
Lining (7) on right in soft top compartment	move to side, move back.
Cable strap (2)	open, close.
Retainer (3)	press off of bolt for soft top bow cylinder (5), press on.
Allen screw (4) (5 mm)	unscrew, screw in.
	Installation note
	Turn soft top bow cylinder if required to start Allen screw (4).
Soft top bow cylinder	extend, retract.
	Note
	To extend the soft top bow cylinder, move soft top bow to approx. 45° position.
Soft top bow "raised" switch (S84/6)	unscrew from soft top bow cylinder (5), screw on.