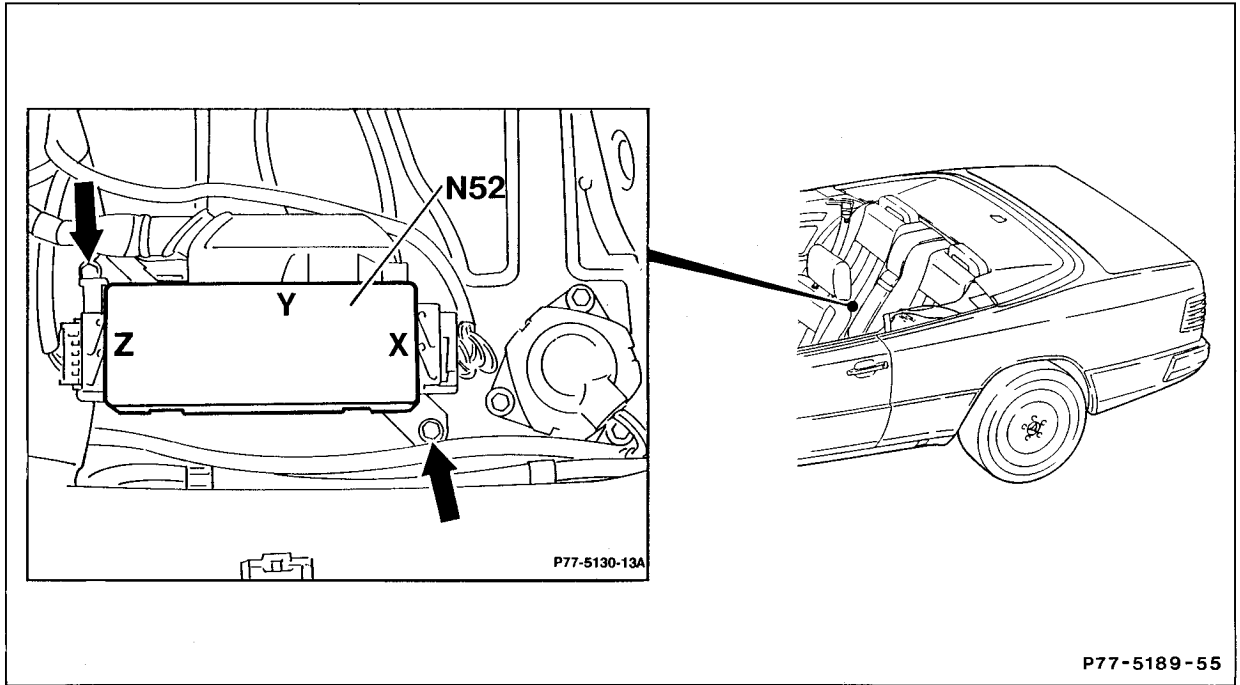


77-450 Removal and installation of soft top control unit

Preliminary work:
Rear seat removed (91-170)

Operation no. of operation texts and work units or standard texts
and flat rates:



Ignition/starter switch	turn to position 0.
Ground lead on battery	disconnect, connect.
Mounting nuts (arrows)	screw off, screw on.
Connectors ("X and Z")	press off with insertion and pulling aid, install.
Connector (Y)	disconnect from control unit (N52), connect.