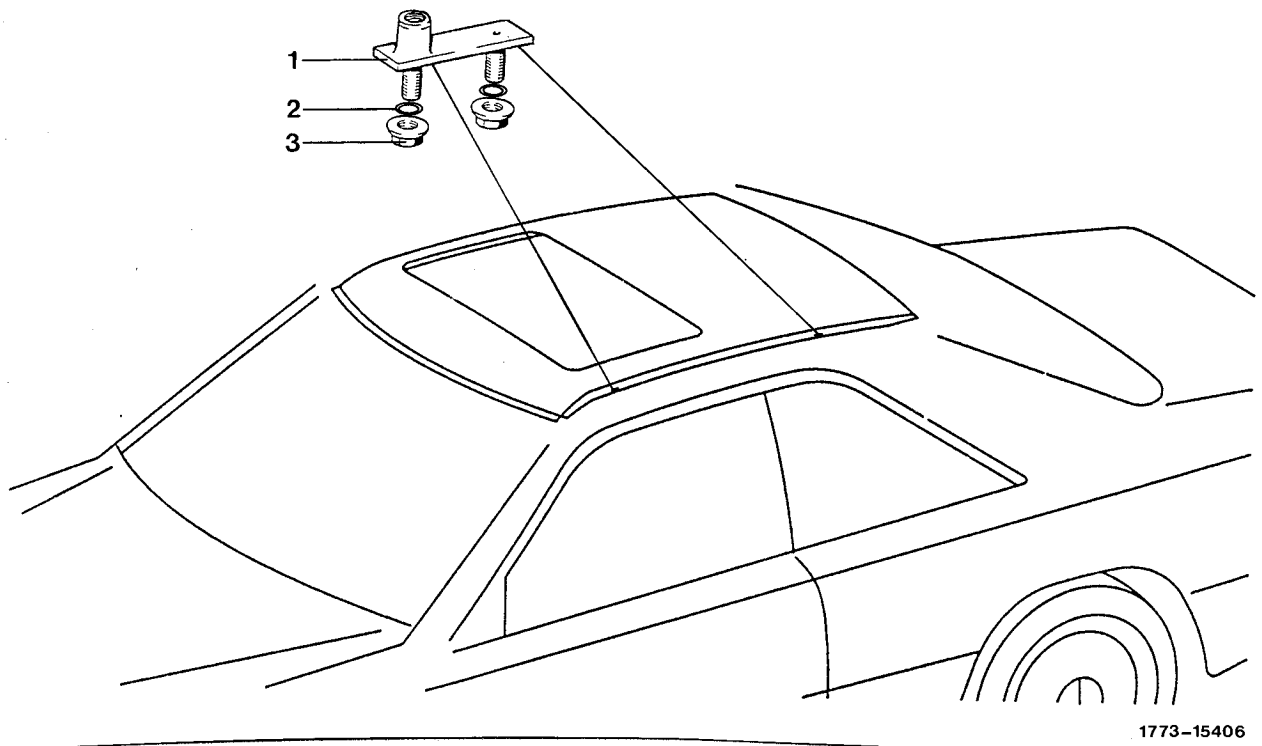


77-510 Removal and installation of mounts for roof rack (coupe)

Water deflector on front wall pillar and on roof removed
(88-855)



1773-15406

Driver's door and rear side window	open
Door edge protection up to front wall pillar	pull off
Headlining at side on roof frame flange	pull off
Grab handles on roof frame	unscrew
Trim on rear pillar, inside	remove (68-449).
Fastening clips for headlining	remove on rear pillar inside (3 each)
Wire strut at side on roof frame	disengage (2 each)
Collar nut (3) on mount (1)	unscrew (2 each), pay attention to assembly note!
Sealing ring (2) on stud	replace prior to installation
Mount (1)	insert into roof channel with MB body sealing compound, part no. 001 989 63 20 and screw down

Assembly note

When removing nuts on mount, first loosen nuts while simultaneously knocking against socket wrench (SW 10) to release mount from sealing material in roof channel. Then completely unscrew nuts and remove mount.

During installation, the stamped in arrow on mount should point in driving direction.

