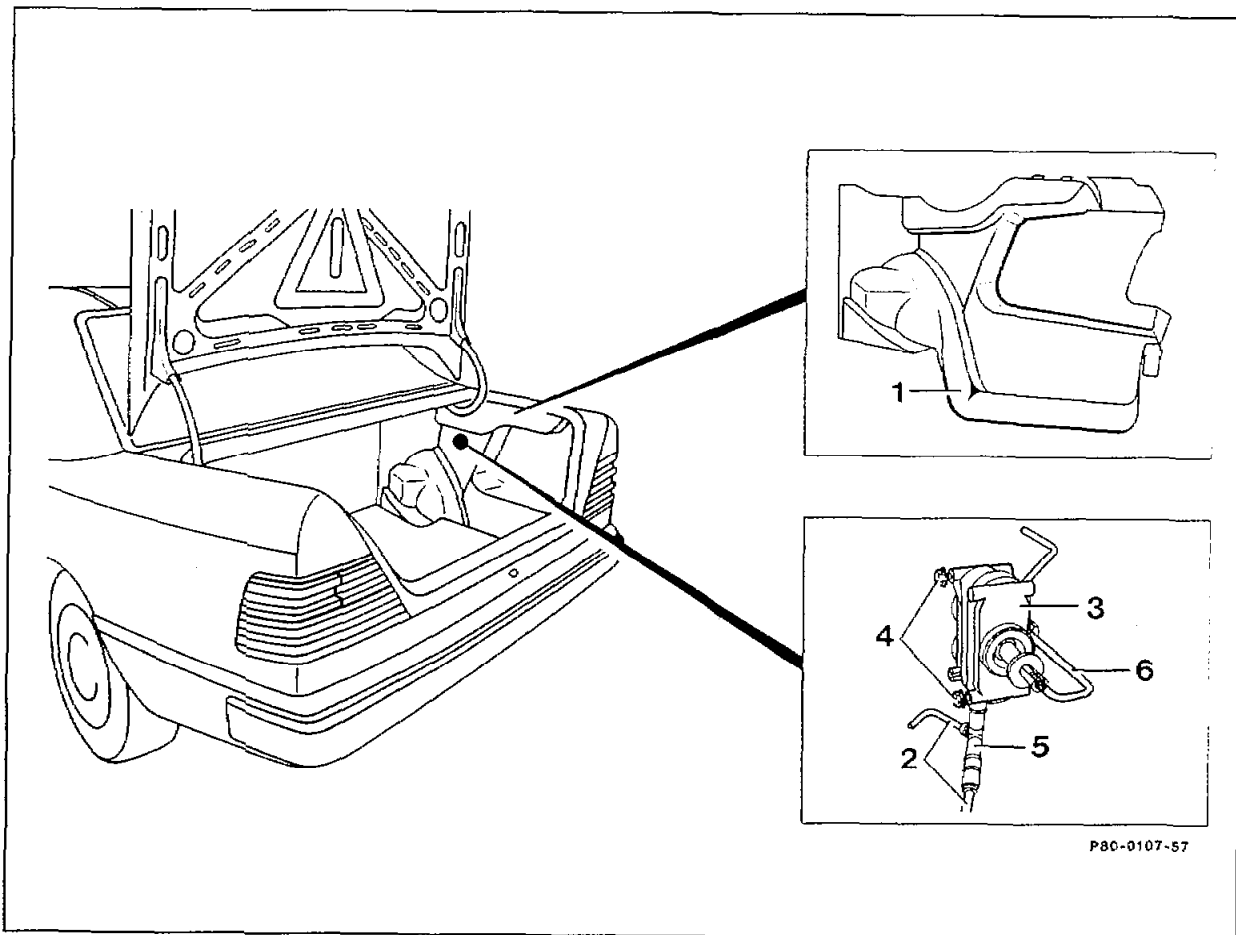


80-230 Removing and installing fuel filler flap actuator

Preceding operation:
Checking central locking system for leaks (80-120)

Operation no. of operation texts and work units
or standard texts and flat rates 80-0306

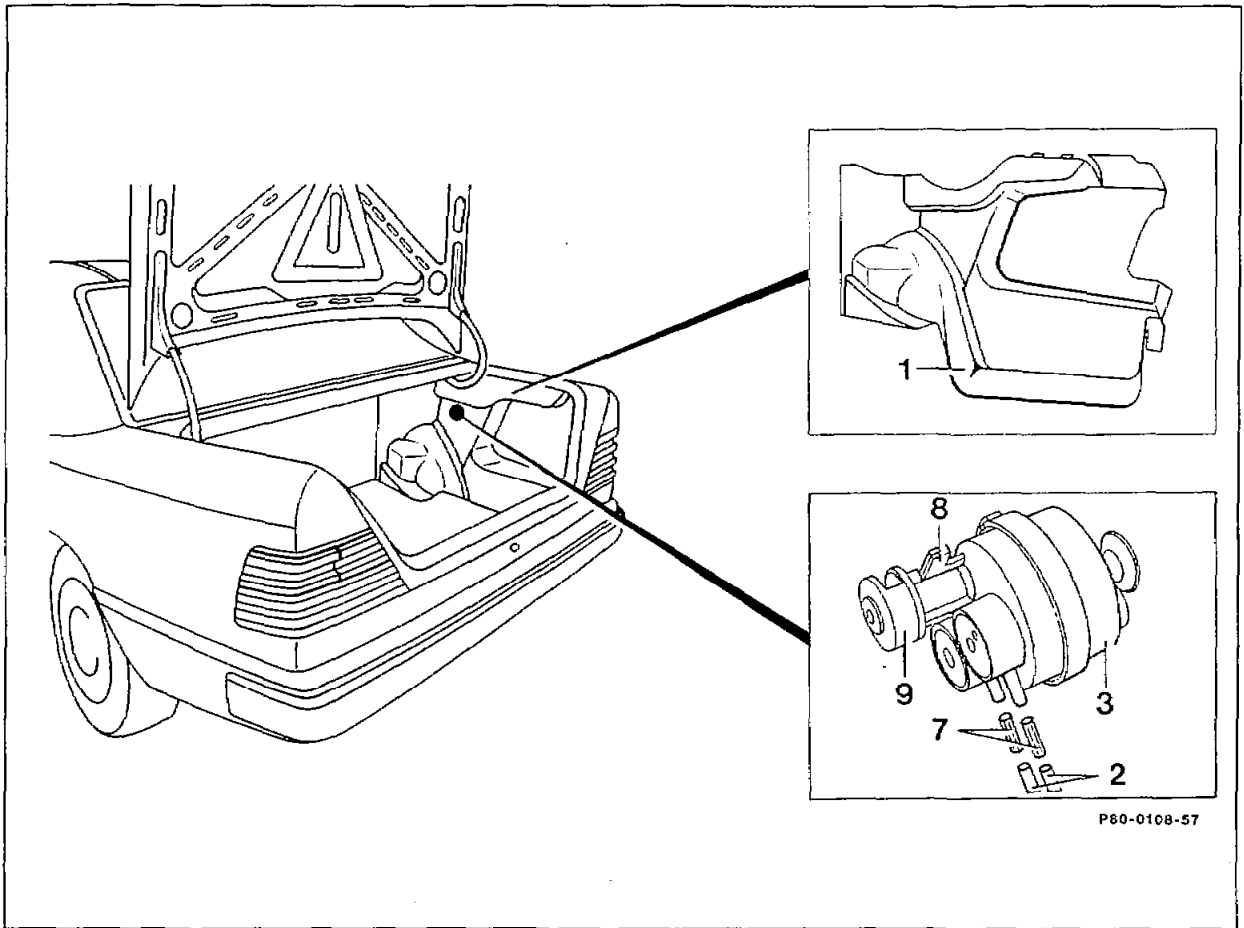
A. Sedan on to approx. 04/87



P80-0107-57

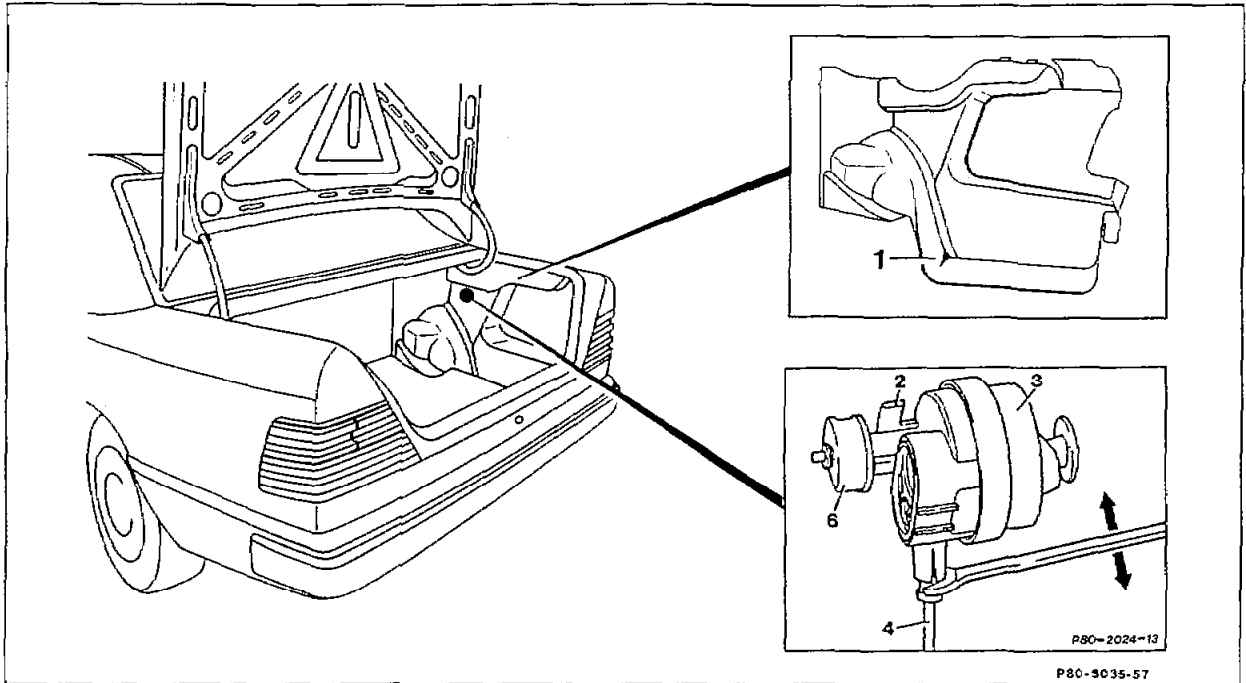
Panelling (1) in right of trunk	remove, install.
Pneumatic lines (2)	detach, fit on.
Bolts (4)	slacken, tighten.
Distributor (5)	examine for signs of damage.
Pneumatic function of actuator (3)	check (80-116).
Shift rod (6)	adjust until tip is at the same level as shift rod guide.

B. Sedan as of approx. 05/87 and coupé up to approx. 08/90



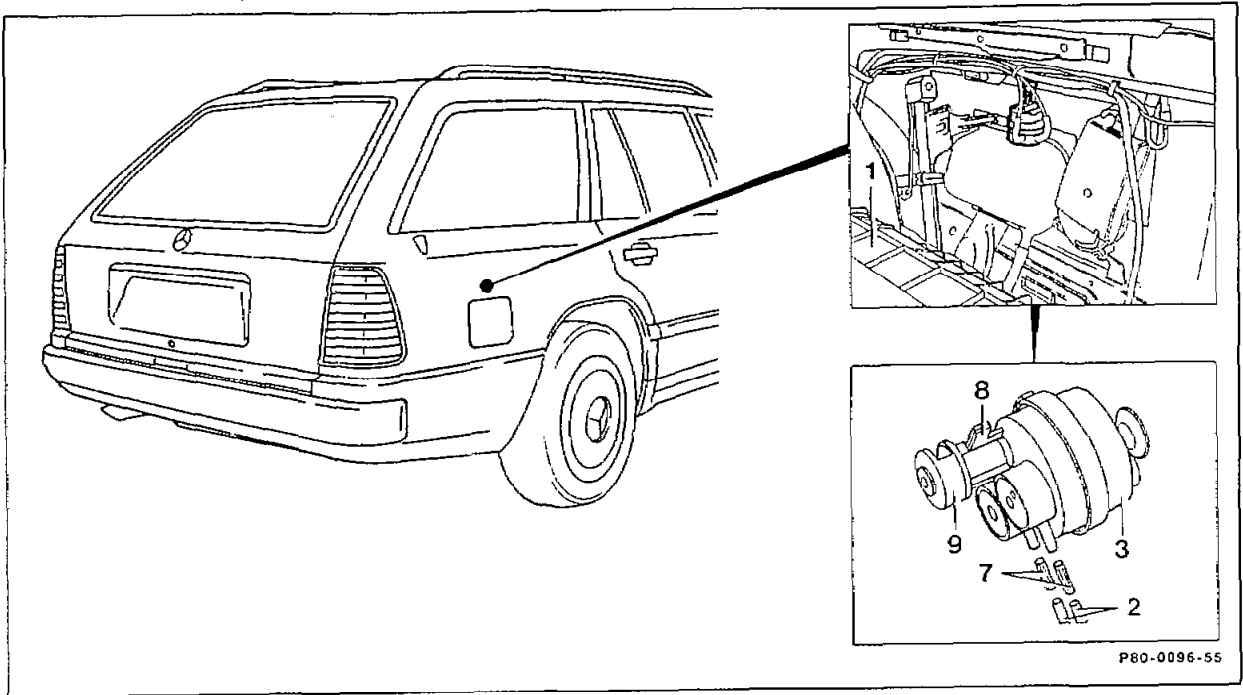
Panelling (1) in right of trunk	remove, install.
Pneumatic lines (2)	detach, fit on.
Connectors (7)	examine for signs of damage.
Fixing plate (8)	press away to remove.
Pneumatic function of actuator (3)	check (80-116).
Actuator (3)	engage in guide sleeve (9) for installing.

C. Sedan and coupé as of approx. 09/90, cabriolet from start of production



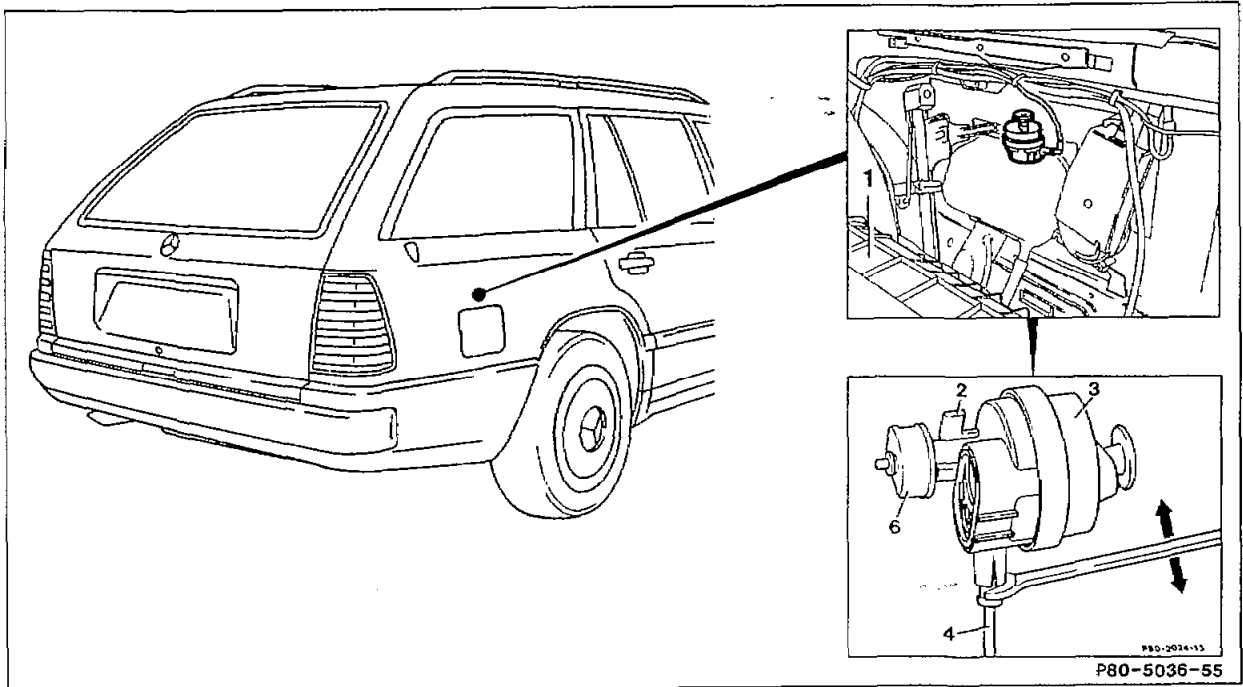
Panelling (1) in right of trunk	remove, install.
Fixing plate (2)	press away to remove.
Pneumatic line (4)	lever off using open-end wrench (width across flats 7).
Pneumatic operation of actuator (3)	check (80-116).
Pneumatic line	engage in actuator (3) to install.
Actuator (3)	engage in guide sleeve (6) to install.

D. Station wagon up to approx. 08/90



Cover (1) in right of baggage area	open, close.
Pneumatic lines (2)	detach, fit on.
Connectors (7)	examine for signs of damage.
Fixing plate (8)	press away to remove.
Pneumatic function of actuator (3)	check (80-116).
Actuator (3)	engage in guide sleeve to install.

E. Station wagon as of approx. 09/90



Cover (1) in right of loading area	open, close.
Fixing plate (2)	press away to remove.
Pneumatic line	lever off with open-end wrench (width across flats 7).
Pneumatic operation of actuator (3)	check (80-116).
Pneumatic line	engage in actuator to install.
Actuator (3)	engage in guide sleeve (6) to install.