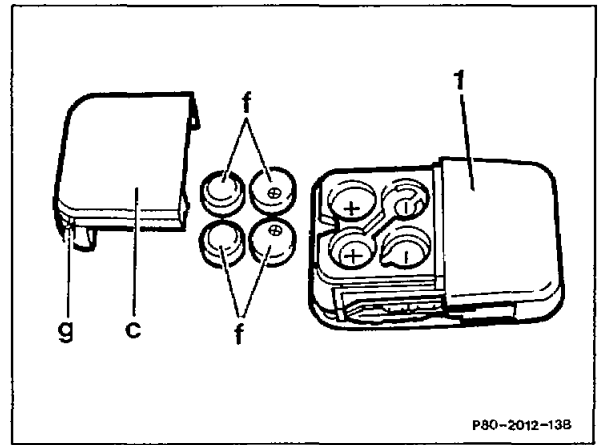
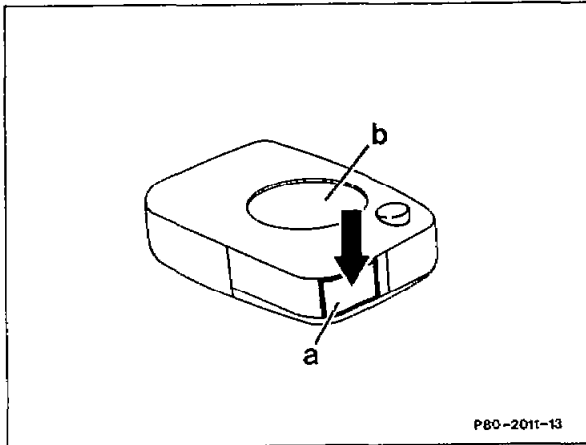


80-420 Checking and replacing batteries for infrared transmitter key and synchronizing and desynchronizing transmitter signal

Operation no. of operation texts and work units
or standard texts and flat rates

1st transmitter keys up to 09/94



Checking batteries

Pushbutton (b)

press for > 1 second.

Batteries are in order if the light-emitting diode (arrow) in the transmitter window (a) comes on briefly.

Replacing batteries

Securing lock (g)

press up.

Battery compartment lid (c)

remove, close.

4 button cells (f)

remove, install (note polarity).

Note

If the battery replacement takes longer than 1 minute, the transmitter signal must be synchronized.



Empty batteries must not be disposed of as normal waste, since they may contain mercury. They must be disposed of as special waste in accordance with the regulations.

Synchronizing transmitter key, except (D) as of 03/94 and vehicles with code 885

Transmitter window (a)

point at a receiver.

Pushbutton (b)

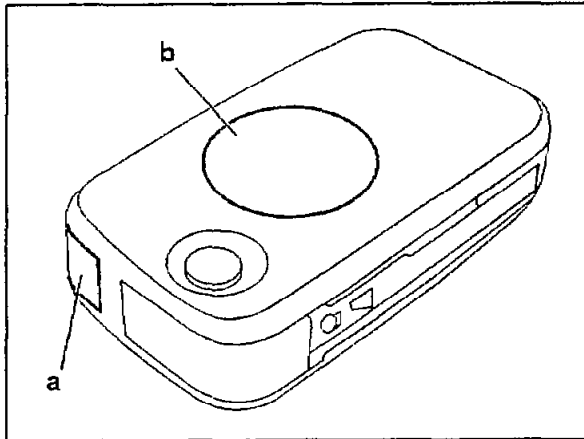
press briefly.

Lock or unlock within the next 30 seconds at the lock cylinder using the folding key on the transmitter.

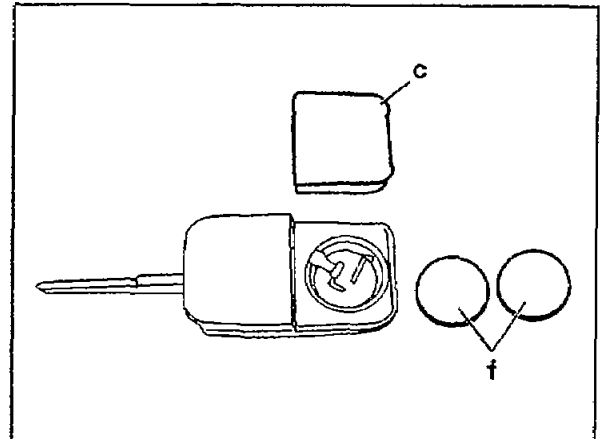
Synchronizing transmitter key, (D) only as of 03/94 and vehicles with code 885

Transmitter window (a)	point at receiver.
Pushbutton (b)	press briefly.
Ignition	switch on within the next 30 seconds with folding key in transmitter.

2nd transmitter keys as of 10/93



P80.30-0202-01



P80.30-0201-01

Note

If more than one minute is required for changing the battery, the transmitter signal must be resynchronized.

Checking batteries

Pushbutton (b)	press for > 1 second. Batteries are okay if LED (arrow) in transmitter window (a) comes on briefly.
----------------------	---

Replacing batteries

Battery compartment cover (c)	press off.
2 batteries (f)	replace (observe polarity).
Battery compartment cover (c)	press on.

Desynchronizing transmitter signal

If one of the transmitter keys is lost, the alternating code portion of the transmitter signal can be desynchronized (reset) with the hand-held tester. Desynchronization is also possible with the pulse counter or by connecting terminal 31 to the IFZ diagnosis connection in the test coupling for diagnosis (X11/4) for 30/40 seconds with the ignition on.