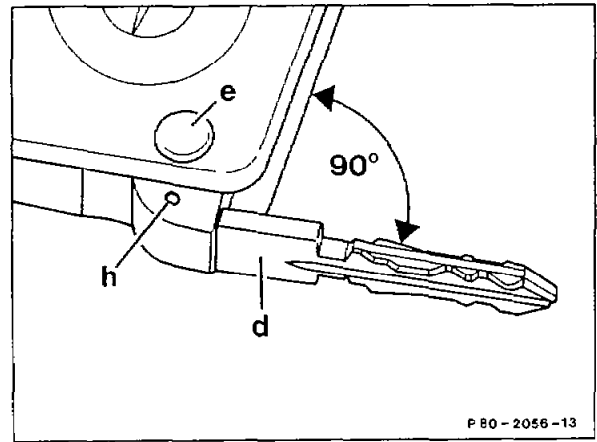
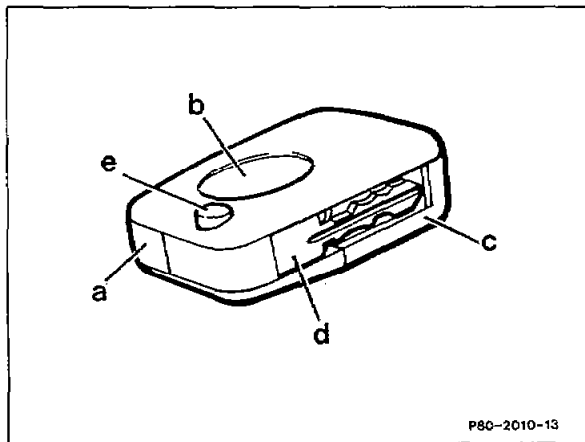


Operation no. of operation texts and work units
or standard texts and flat rates



- Pushbutton (e)
- Folding key (d)
- Dowel pin (h)
- Key insert (d)

- press.
- fold out approx. 90°.
- press out with a punch 1.5 mm dia., install.
- detach, attach.

Note

Folding keys from transmitter keys up to 09/93 cannot be installed in the smaller transmitter key as of 10/93 and vice versa. For this reason when ordering transmitter keys always order transmitter together with folding key indicating 16-digit lock number. Only the approx. 40 % smaller transmitter keys are now available.