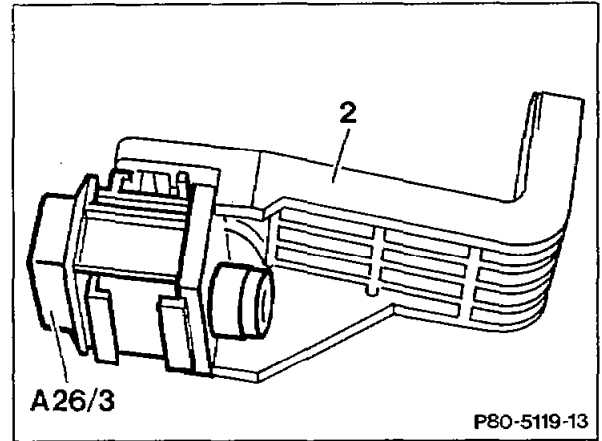
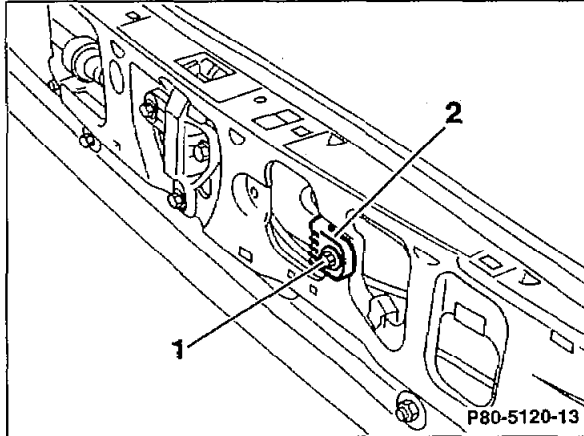


**80-435 Removing and installing trunk lid infrared remote control (IFZ) receiver unit (A26/3)**

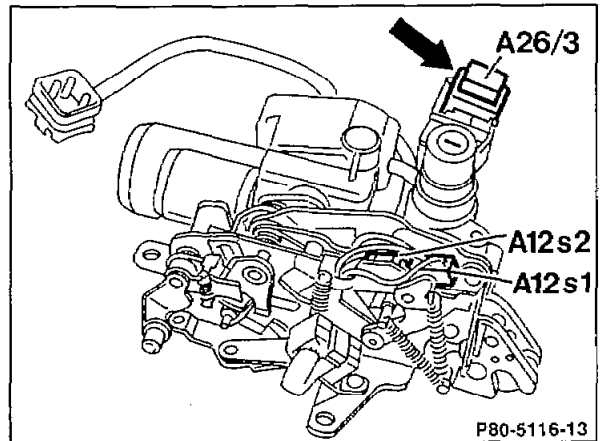
Operation no. of operation texts and work units  
or standard texts and flat rates .....

**A. Sedan, coupé and cabriolet**



Panelling on rear center panel .....	remove, install.
Screw (1) .....	unscrew, screw on.
Plug connection, trunk lid infrared remote control (IFZ) receiver unit (A26/3) .....	disconnect, contact.
Bracket (2) with trunk lid infrared remote control (IFZ) receiver unit (A26/3) .....	remove from rear center panel, install.
Trunk lid infrared remote control (IFZ) receiver unit (A26/3) .....	press out of bracket (2), mount.

**B. Station wagon**



Door lock on tailgate .....  
Tailgate infrared remote control (IFZ) receiver unit  
(A26/3) .....

remove, install (72-255).  
press out of tailgate lock, mount (arrow).