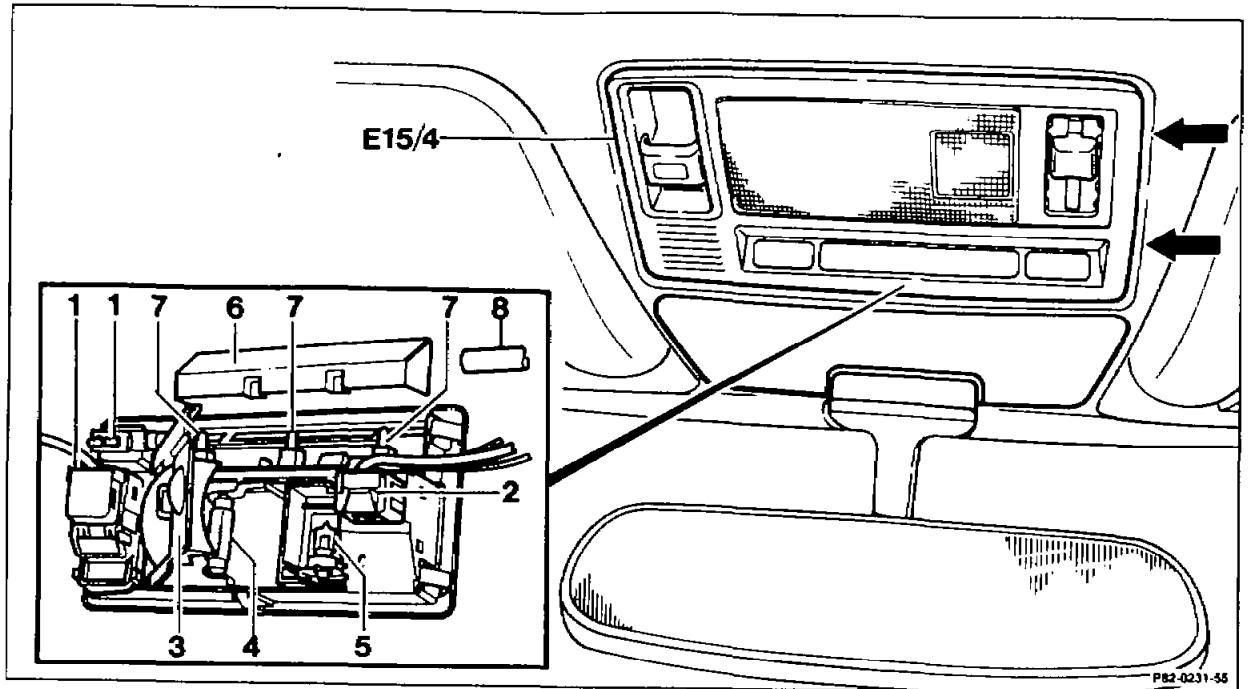


82-0010 Removing and installing dome lamp control unit and rear dome lamp

Operation no. of operation texts and work units or standard texts and flat rates:
82-0420, 82-0421



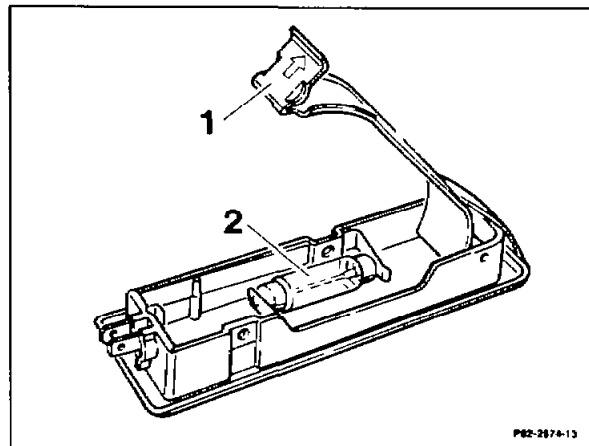
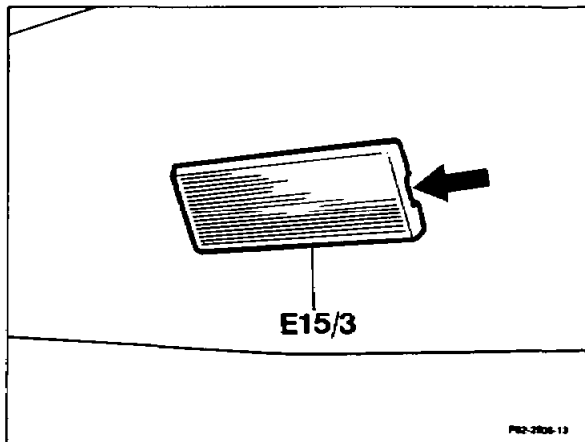
Note

Control unit of dome lamp, production breakpoint 08/85 (for function see 82-0012).

Removal of the dome lamp prior to 08/85 is identical to dome lamp control unit.

Dome lamp with reading lamp and seat belt reminder (E15/4)	unclip, clip in place (arrows).
Dome lamp with reading lamp and seat belt reminder (E15/4)	remove, insert.
Electrical connections (1 and 2)	unplug, plug in.
Air hose (8) from in-car temperature sensor	detach, fit on.

- | | |
|----------------------------------------------|------------------------|
| Reflector (3) | unclip, clip in place. |
| Dome lamp bulb (4) | remove, replace. |
| Reading lamp bulb (5) | remove, replace. |
| Cover (6) for seat belt reminder bulbs | unclip, clip in place. |
| Seat belt reminder bulbs (7) | remove, replace. |



- | | |
|------------------------------|--------------------------------|
| Rear dome lamp (E15/3) | release, snap in (arrow). |
| Electrical connection | unplug, plug in. |
| Reflector (1) | lift up, push down into place. |
| Bulb (2) | remove, replace. |