

82-0012 Function of dome lamp control unit

Operation no. of operation texts and work units or standard texts and flat rates:

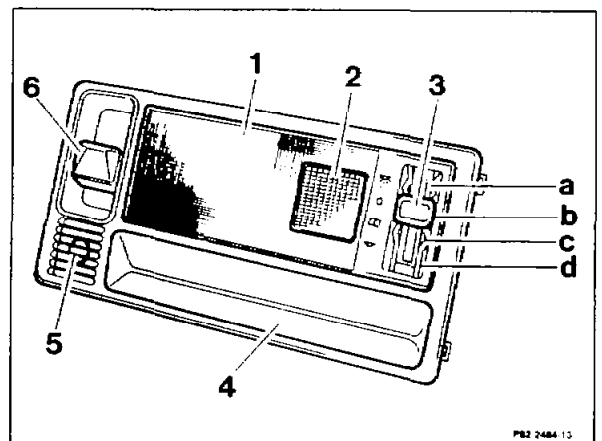
Dome lamp control unit

The dome lamp control unit contains the dome lamp and reading lamp, the seat belt reminder lamp, the in-car temperature sensor and, if the optional tilting/sliding roof is fitted, the switch for the latter.

Dome lamp

- Switch position a: Dome lamp and reading lamp on continuously
- Switch position b: Dome lamp and reading lamp switched off
- Switch position c: Reading lamp switched on
- Switch position d: Dome lamp switched on with delay circuit of 6 + 4 seconds

- 1 Dome lamp
- 2 Reading lamp
- 3 Dome lamp switch
- 4 Seat belt reminder lamp
- 5 In-car temperature sensor
- 6 Tilting/sliding roof switch (option)



Seat belt reminder lamp

A seat belt reminder lamp is fitted to indicate that the seat belt should be fastened. It flashes irrespective of whether the belt is fastened. The seat belt reminder lamp is controlled by the door contact switches and the electronic cutoff delay of the dome lamp. When the front door opened, the seat belt reminder lamp shows a steady light. When the dome lamp switch is in position "0", the seat belt reminder lamp is illuminated only if the ignition is switched on (key position 2).

When the front door is closed, the seat belt reminder lamp flashes for 12 ± 1 seconds. This time is reduced to 6 ± 1 seconds when the ignition is switched on (key position 2). If the ignition is switched on again after this period (key position 2), the seat belt reminder lamp once again flashes for 6 ± 1 seconds.

