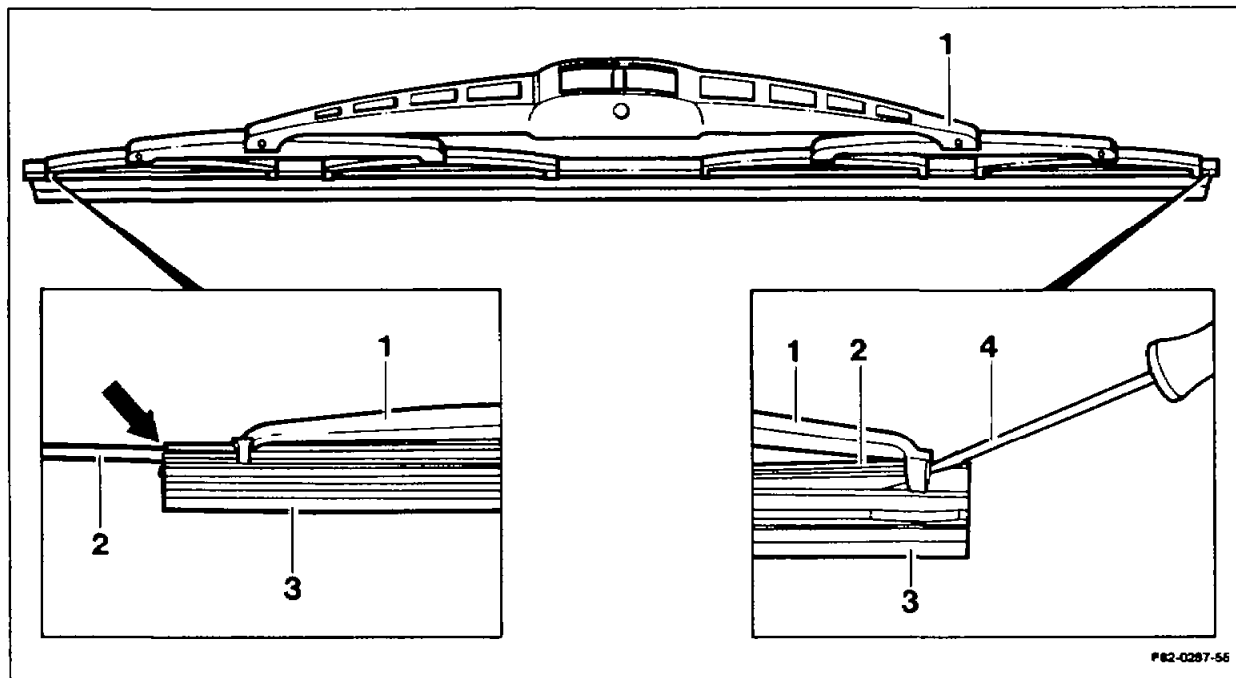


82-0610 Removing and installing rubber of wiper blade

Operation no. of operation texts and work units or standard texts
and flat rates:
82-0608



F82-0287-56

Removal

| | |
|------------------------------|--|
| Wiper blade (1) | remove. |
| Retaining springs (2) | push back out of the closed rubber side and withdraw completely from the rubber (3). |
| Wiper blade rubber (3) | detach at the retaining carriers (4) of the wiper blade (1). |

Installation

| | |
|--|--|
| Wiper blade rubber (3) | insert at the retaining carriers (4) of the wiper blade (1). |
| Retaining springs (2) | push into the rubber (3) from the open end of the channel (arrow). The curved side must be facing toward the windscreen. |
| Wiper blade (1) with retaining springs (2) | place on solid base and press in. |

Note

The retaining springs engage more easily if the front end is chamfered and coated with soapy water.

