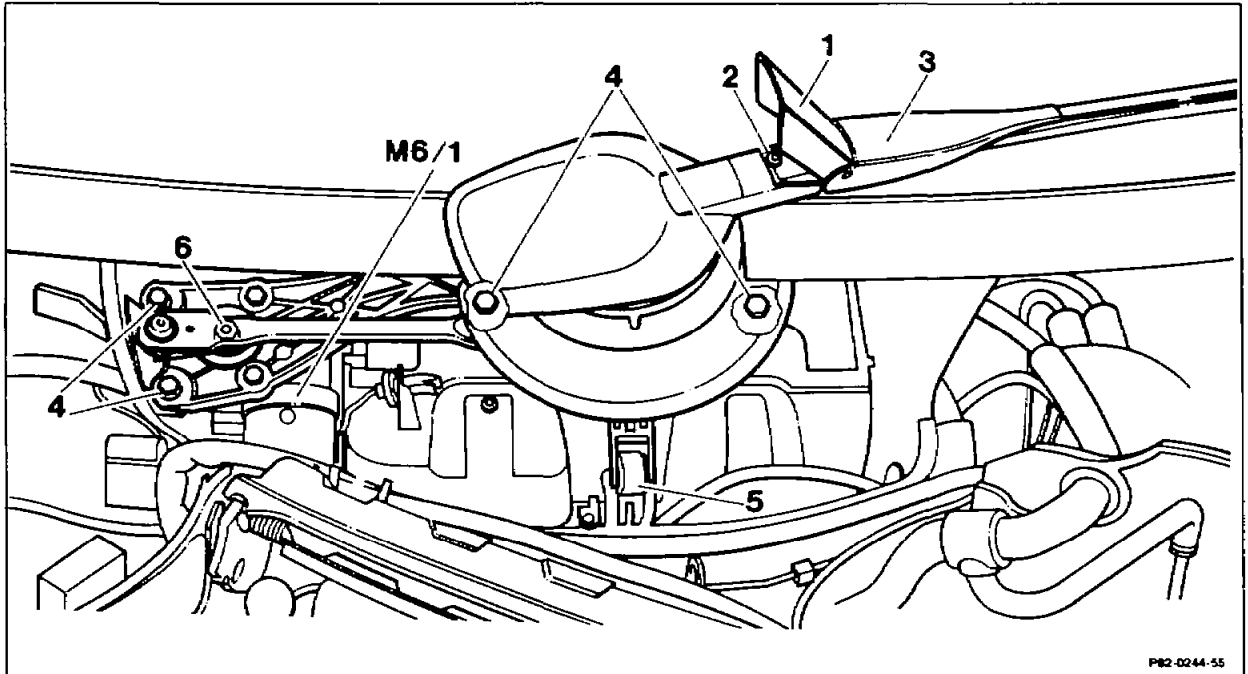


82-0680 Removing and Installing wiper motor

Preceding work:
Grille on air inlet removed (83-040).

Operation no. of operation texts and work units or standard texts
and flat rates:
82-1400



Withdraw ignition key!

Movements at the wiper arm or wiper linkage may activate the automatic park position control if the ignition key is in position "1". Unintentional operation of the wipers might result in hand injuries.

| | |
|--|--|
| Cover (1) at wiper arm (3) | open, close. |
| Hexagon socket screw (2) | unscrew, screw in. |
| Wiper arm (3) | take off, adjust and fit on (steps 19 and 20). |
| 4 hexagon nuts (4) | unscrew, screw on. |
| Retaining clip (5) | take off, fit on. |
| Electrical connection | unplug, plug in. |
| Wiper system | take out, insert. |
| Hexagon nut of wiper motor shaft (6) | unscrew, screw on, 19 Nm. |



Crank arm with linkage

Wiper motor (M6/1)

press off, fit on.

Note

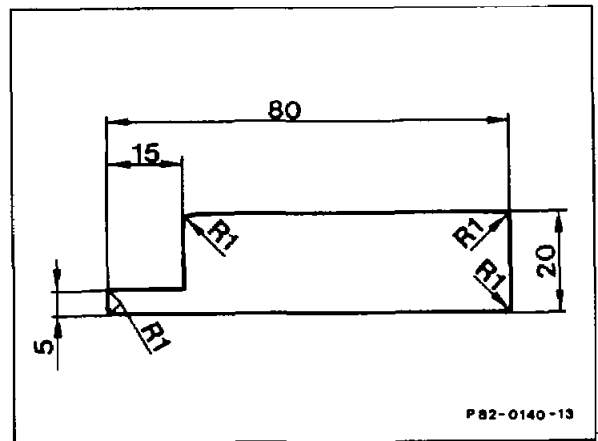
Crank arm and push rod must be parallel to each other.

unscrew, screw on, 5 Nm.

Shop-made tool

Test gauge

Material: wood or plastic



Removal

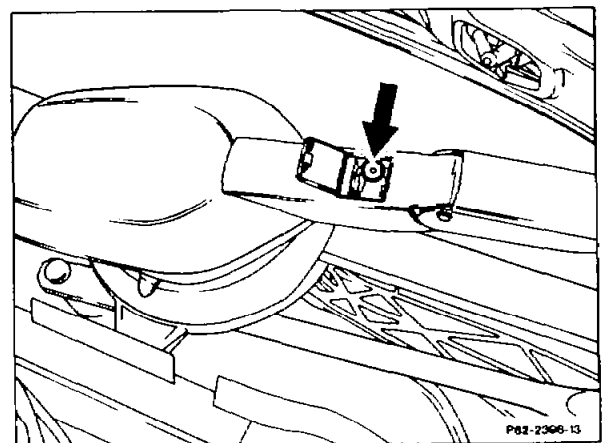


Withdraw ignition key!

Movements at the wiper arm or wiper linkage may activate the automatic park position control if the ignition key is in position "1". Unintentional operation of the wipers might result in hand injuries.

1st version

1 Open cover plate cover, unscrew hexagon socket screw and remove. Take off wiper arm.

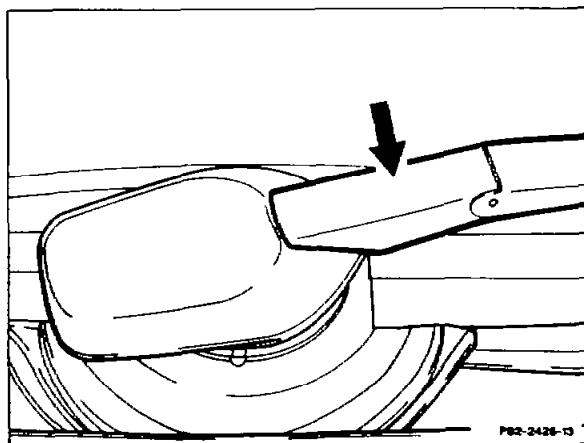


2nd version

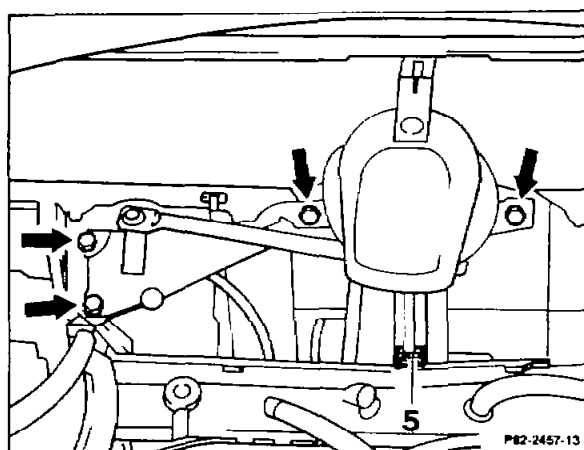
2 Move wiper system to maximum extended stroke.

3 Pull off plastic cover (arrow) downward.

4 Unscrew hexagon socket screw below plastic cover and pull off wiper arm.

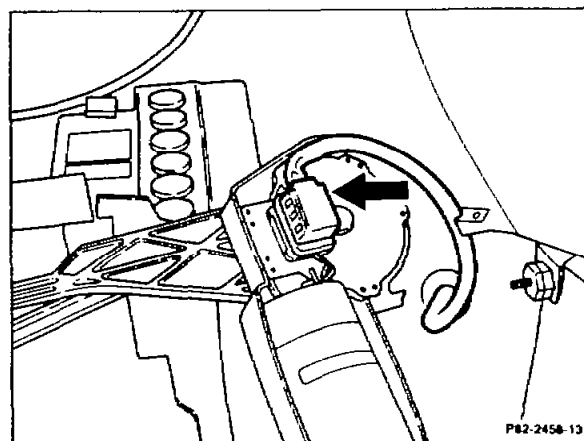


5 Remove hexagon nuts (arrows) and pull off retaining clip (5).

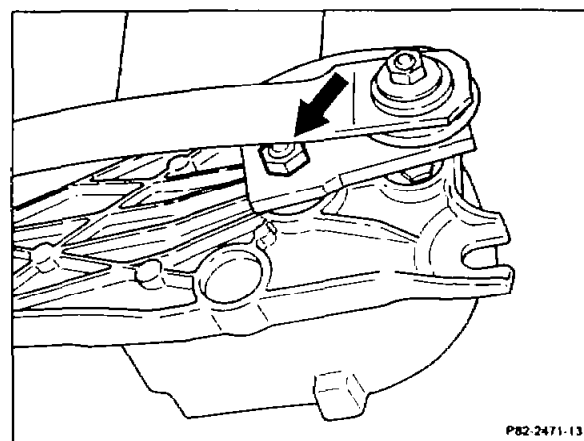


6 Take out wiper system.

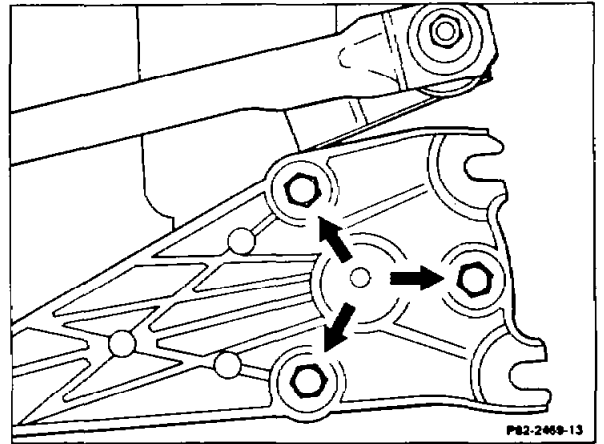
7 Pull off plug connection (arrow).



8 Unscrew hexagon nut (arrow) from wiper motor shaft and press off crank arm.



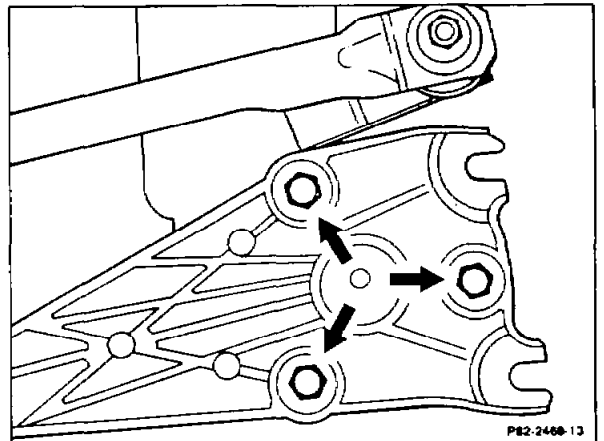
9 Unscrew hexagon bolts (arrows) of wiper motor and take off wiper motor.



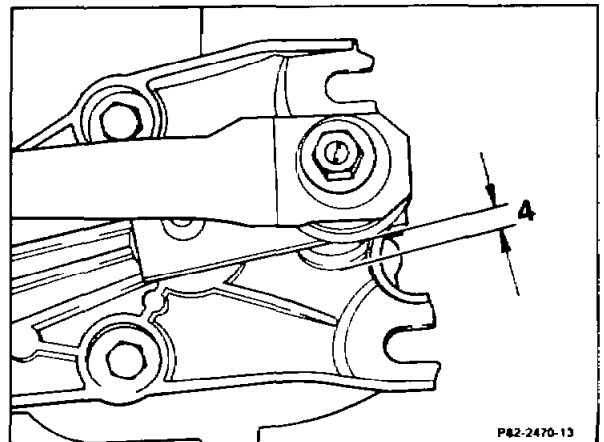
Installation

10 Screw on hexagon bolts of wiper motor, 5 Nm.

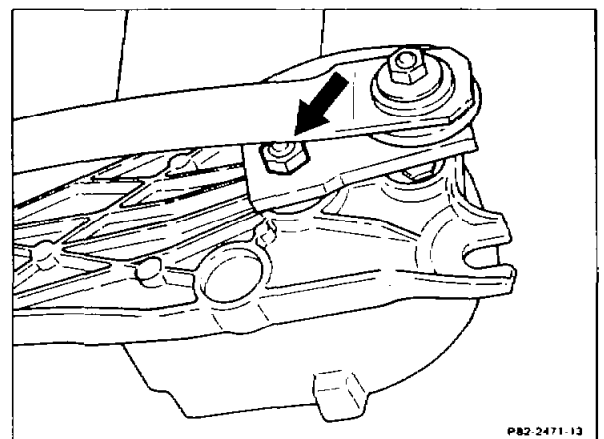
11 Connect wiper motor to wiring harness and run to park position.



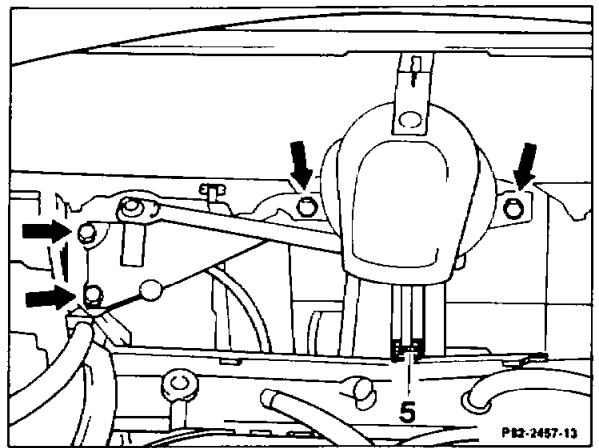
12 Fit crank arm onto wiper motor shaft and align.



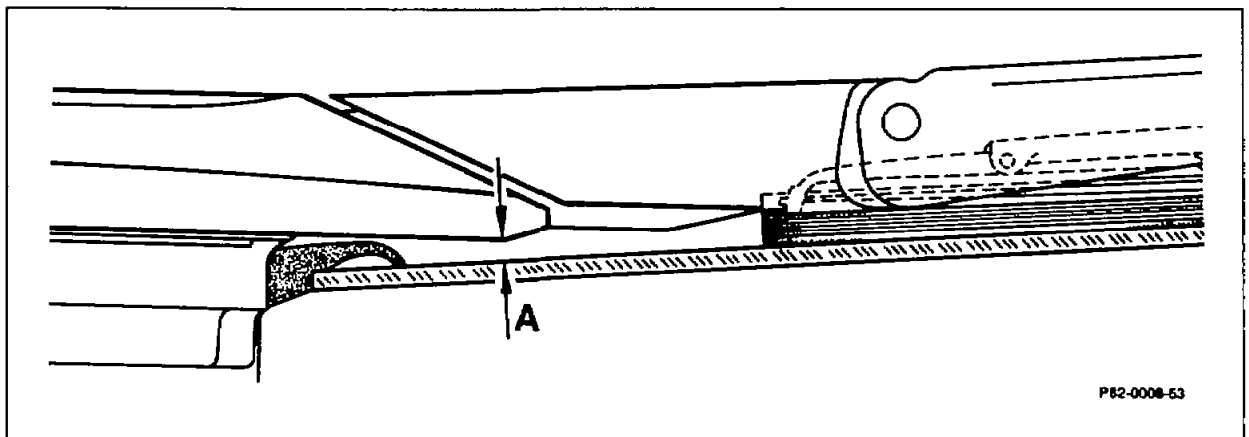
13 Tighten hexagon nut (arrow) to 19 Nm.



- 14 Insert wiper system.
- 15 Screw on hexagon nuts (arrows).
- 16 Fit on retaining clip (5).

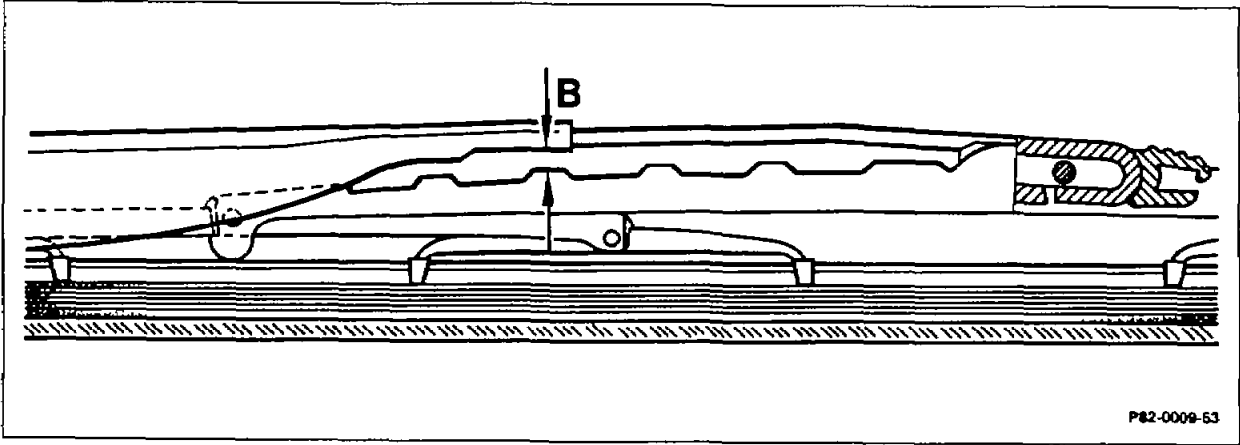


- 17 Press wiper system up far enough for the test gauge to be inserted (reference size A). If the adjustment facility in the oblong holes is not sufficient, install washers between rubber mounts and wiper system.



- 18 Install wiper arm.
- 19 Move wiper arm into centre position.

20 Measure reference size "B" with gauge. If the distance is less than 5 mm, bend wiper arm toward windscreen until gauge can be inserted.



P82-0009-53