

82-0840 Power windows

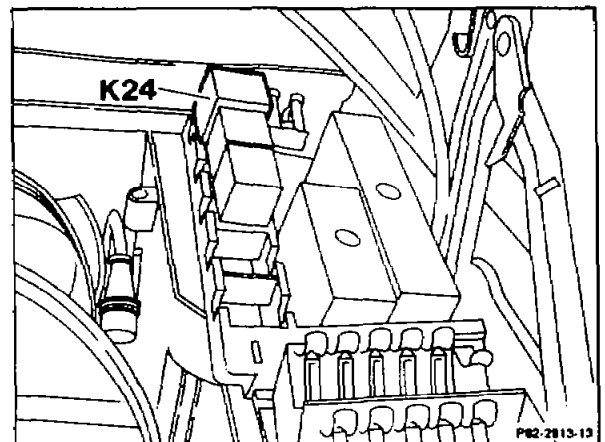
Operation no. of operation texts and work units or standard texts and flat rates:

Note

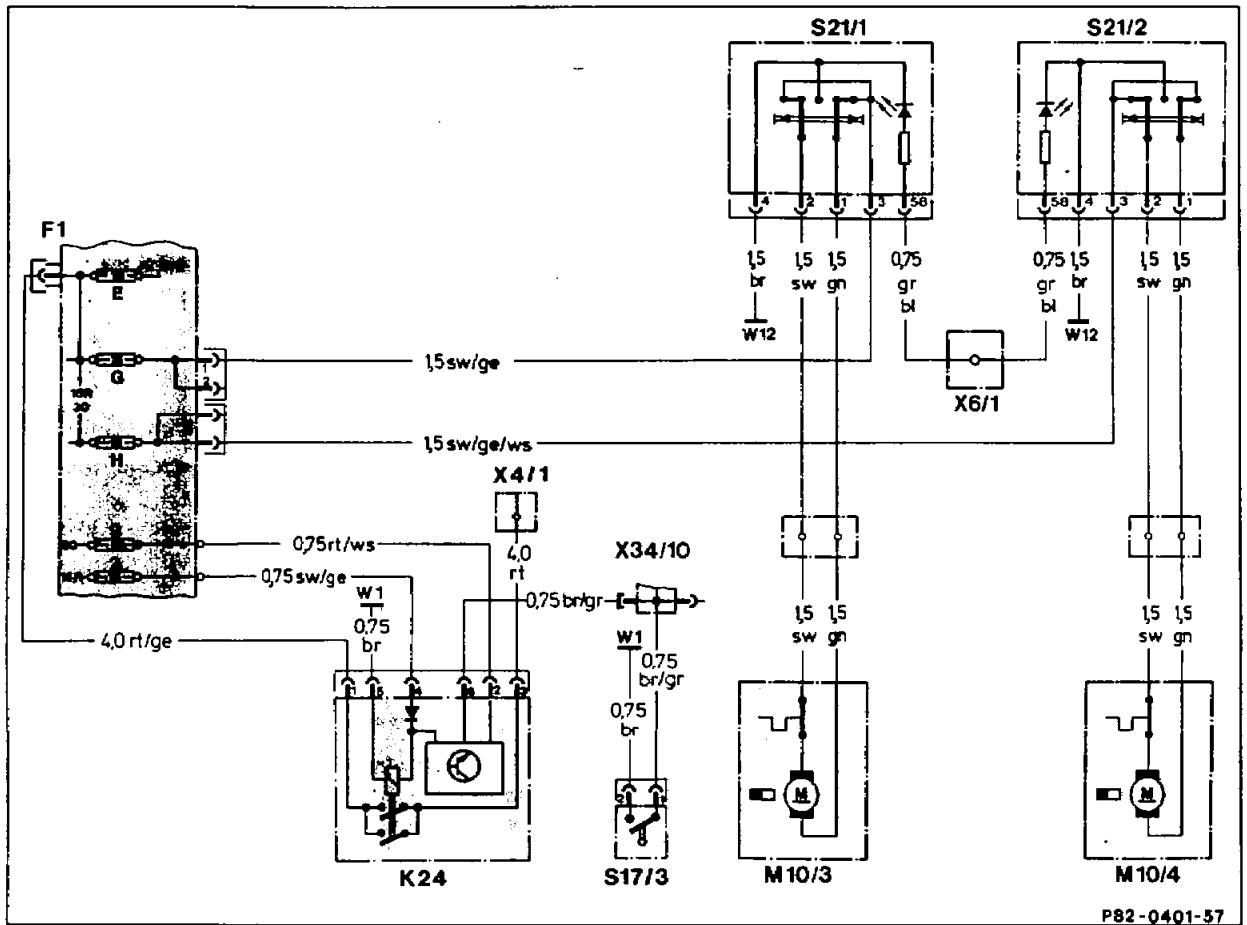
For wiring diagrams of power windows and power window convenience control, see Wiring Diagrams Passenger Cars Volume 4.

Power windows/seat adjustment convenience control

The convenience control circuitry has been modified (09/88). Diode and positively controlled left and right front door contacts are no longer fitted. The function of the diode is assumed by an electronic relay (K24) which is located in bay A in the fuse and relay box.



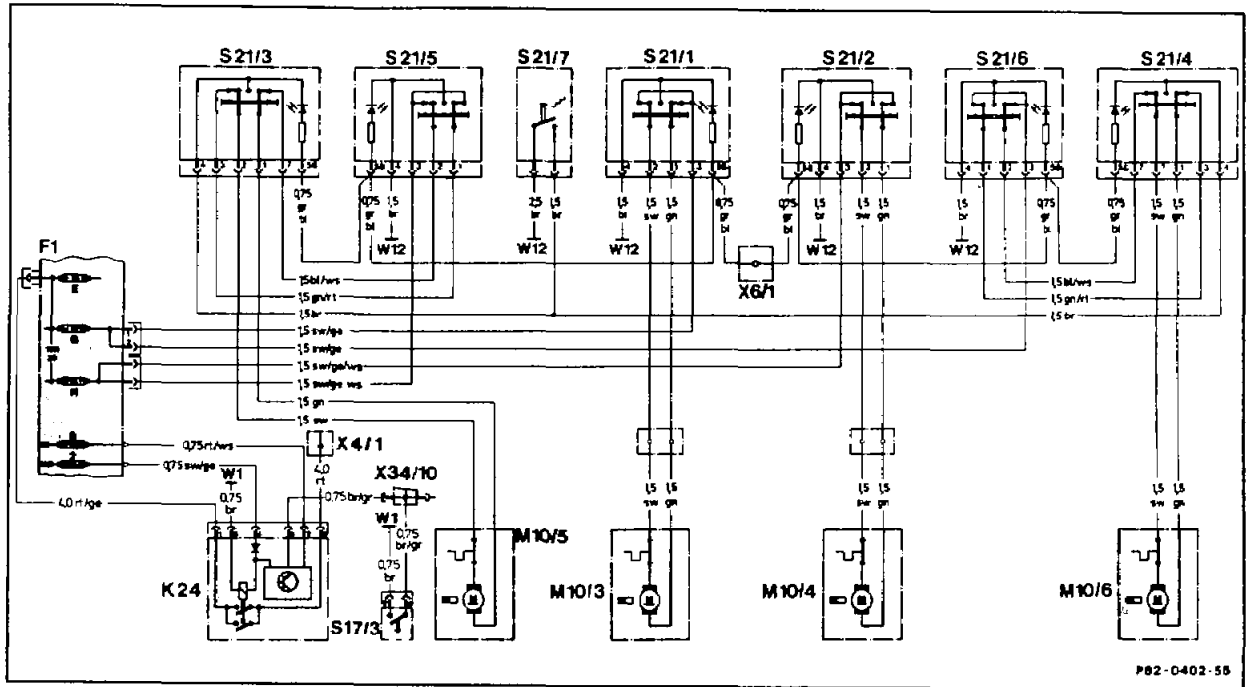
2 power windows (as of 09/88 - 09/89)



P82-0401-57

- | | | | |
|-------|--------------------------------|--------|--|
| F1 | Fuse and relay box | W1 | Main ground (behind instrument cluster) |
| K24 | Convenience control relay | W12 | Centre console ground |
| M10/3 | Front left power window motor | X4/1 | Terminal block, terminal 30/interior (2-pin) |
| M10/4 | Front right power window motor | X6/1 | Terminal block, terminal 58D m(2-pin) |
| S17/3 | Front left door contact switch | X34/10 | Multiple connector, front left door contact switch |
| S21/1 | Front left window switch | | |
| S21/2 | Front right window switch | | |

4 power windows (as of 09/88 - 09/89)



P82-C402-55

- | | | | |
|-------|--------------------------------|--------|--|
| F1 | Fuse and relay box | S21/8 | Rear right window switch (front console) |
| K24 | Convenience control relay | S21/7 | Rear power windows safety switch |
| M10/3 | Front left power window motor | W1 | Main ground (behind instrument cluster) |
| M10/4 | Front right power window motor | W12 | Centre console ground |
| M10/5 | Rear left power window motor | X4/1 | Terminal block, terminal 30/interior (2-pin) |
| M10/6 | Rear right power window motor | X6/1 | Terminal block, terminal 58D (2-pin) |
| S17/3 | Left front door contact switch | X34/10 | Multiple connector, front left door contact switch |
| S21/1 | Front left window switch | | |
| S21/2 | Front right window switch | | |
| S21/3 | Rear left window switch | | |
| S21/4 | Rear right window switch | | |