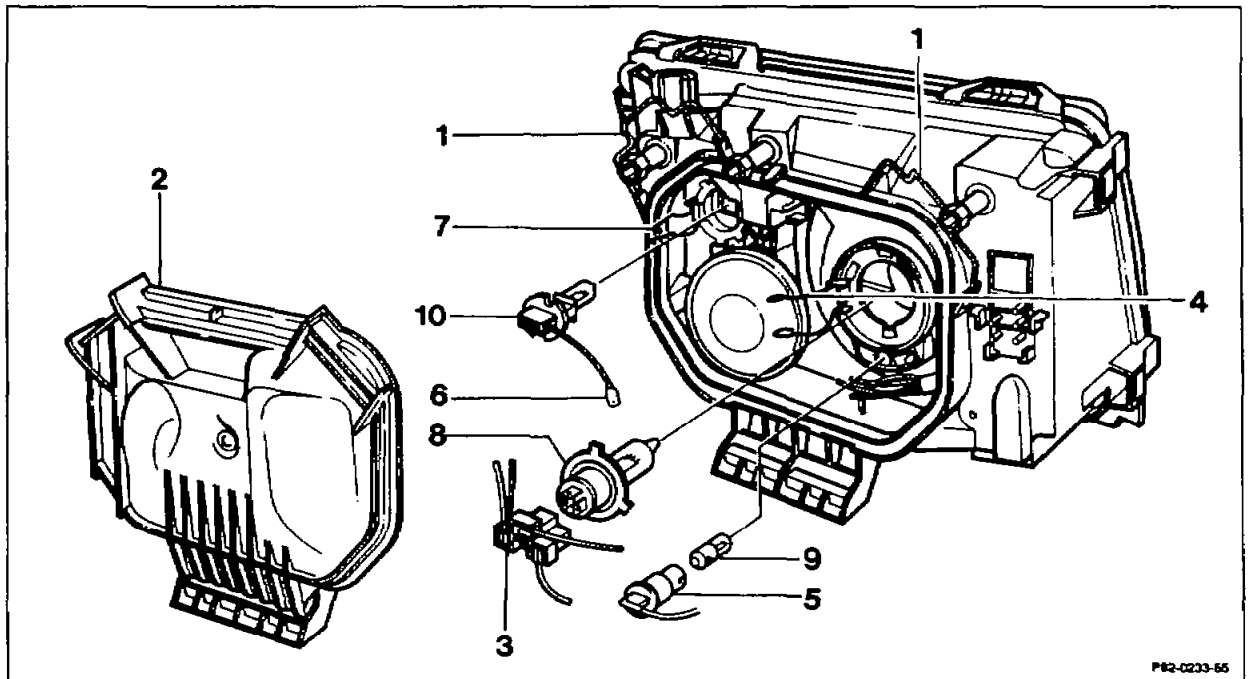


## 82-1201 Removing and Installing bulbs of headlamp unit

Preceding work:  
Remove intake air cowl (09-0060)  
Model 124.034/036 and engine 104.

Operation no. of operation texts and work units  
or standard texts and flat rates:  
82-1201

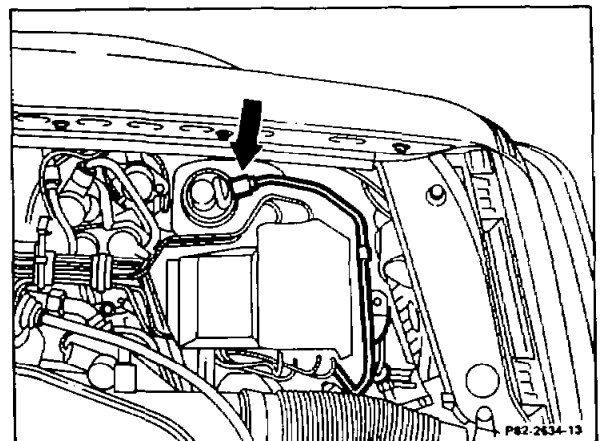
### A. Standard version and as of model year 94



On models with self-levelling suspension, the return line from level control to oil reservoir (arrow) must be detached first of all when working on the left-hand lamp unit.

Do not grasp the bulbs with naked fingers but use a non-greasy soft cloth.

Ensure that the bulb is correctly located when installed.



Clip (1) .....	fold open, close.
Cover (2) .....	take off, fit on.

**Bulb for headlamp**

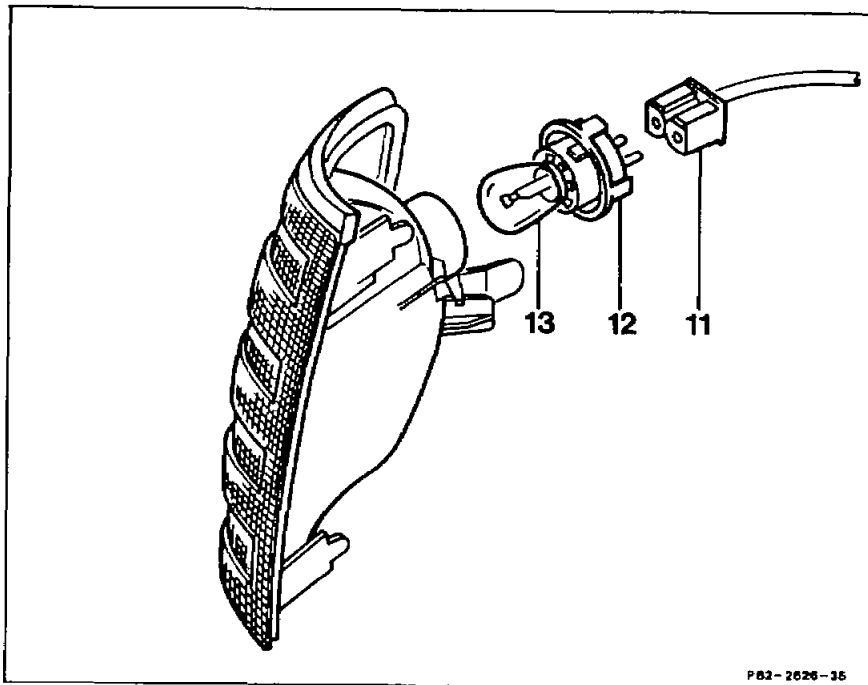
- Electrical connection (3) ..... unplug, plug in.
- Fixing clip (4) ..... release, clip in place.
- Bulb (8) ..... remove, insert.

**Bulb for parking lamp (except USA)**

- Socket (5) ..... remove, insert.
- Bulb (9) ..... remove from bayonet seat of socket (5), insert.

**Bulb for fog lamp or high beam headlamp  
(model 124.036)**

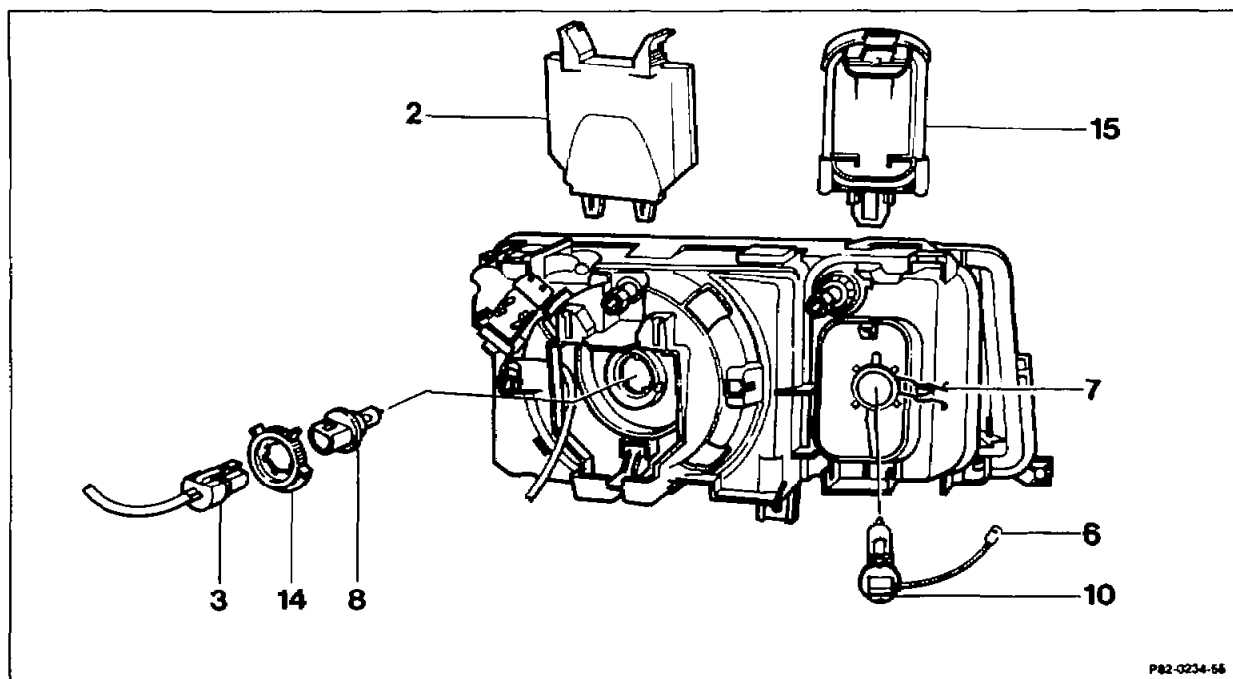
- Electrical connection (6) ..... unplug, plug in.
- Fixing clip (7) ..... release, clip in place.
- H3 bulb (10) ..... remove, insert.



**Bulb for turn signal lamp or turn signal lamp and  
side marker lamp (USA)**

- Electrical connection (11) ..... disconnect, reconnect.
- Socket (12) ..... release by turning to left, fasten by turning to right.
- Bulb (13) ..... remove from bayonett seat in socket (12), install.

**B. USA version up to model year 93**



P82-0234-56



Do not touch the bulbs with bare fingers, but use a non-greasy soft cloth.

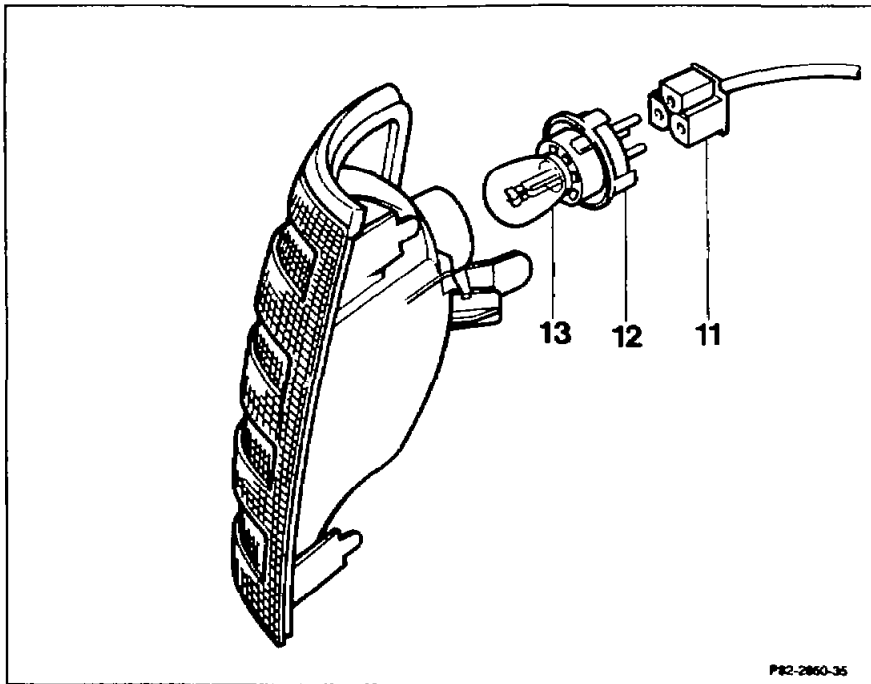
Ensure that the bulb is correctly located when installing.

**Main headlamp with bulb**

Cover (2) .....	remove upward, insert from above.
Electrical connection (3) .....	unplug, plug in.
Retaining ring (14) .....	remove, fit on.
Bulb (8) .....	remove, insert.

**Bulb for fog lamp**

Cover (15) .....	take off, fit on.
Electrical connection (6) .....	unplug, plug in.
Fastening clip (7) .....	unclip, clip in place.
H3 bulb (10) .....	remove, insert.



P82-2860-35

**Bulb for turnsignal and side marker lamp**

- |                                  |   |
|----------------------------------|---|
| Electrical connection (11) ..... | unplug, plug in.  |
| Socket (12) .....                | slacken by turning to the left, attach by turning to the right. |
| Bulb (13) .....                  | remove from bayonet seat of socket (12), insert.                |