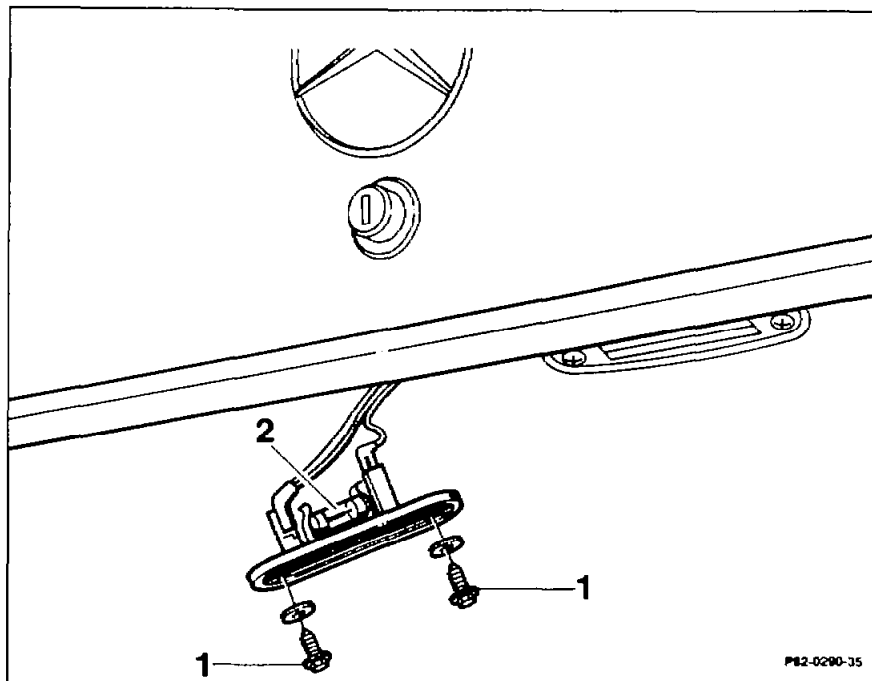


## 82-5161 Removing and installing licence plate lamp

Operation no. of operation texts and work units or standard texts  
and flat rates:  
82-5161, 82-5162, 82-5163



Hexagon screws (1) .....	unscrew, screw in.
Bulb (2) .....	remove from base, insert.

### Note

When installing licence plate lamp, ensure seal is correctly inserted.