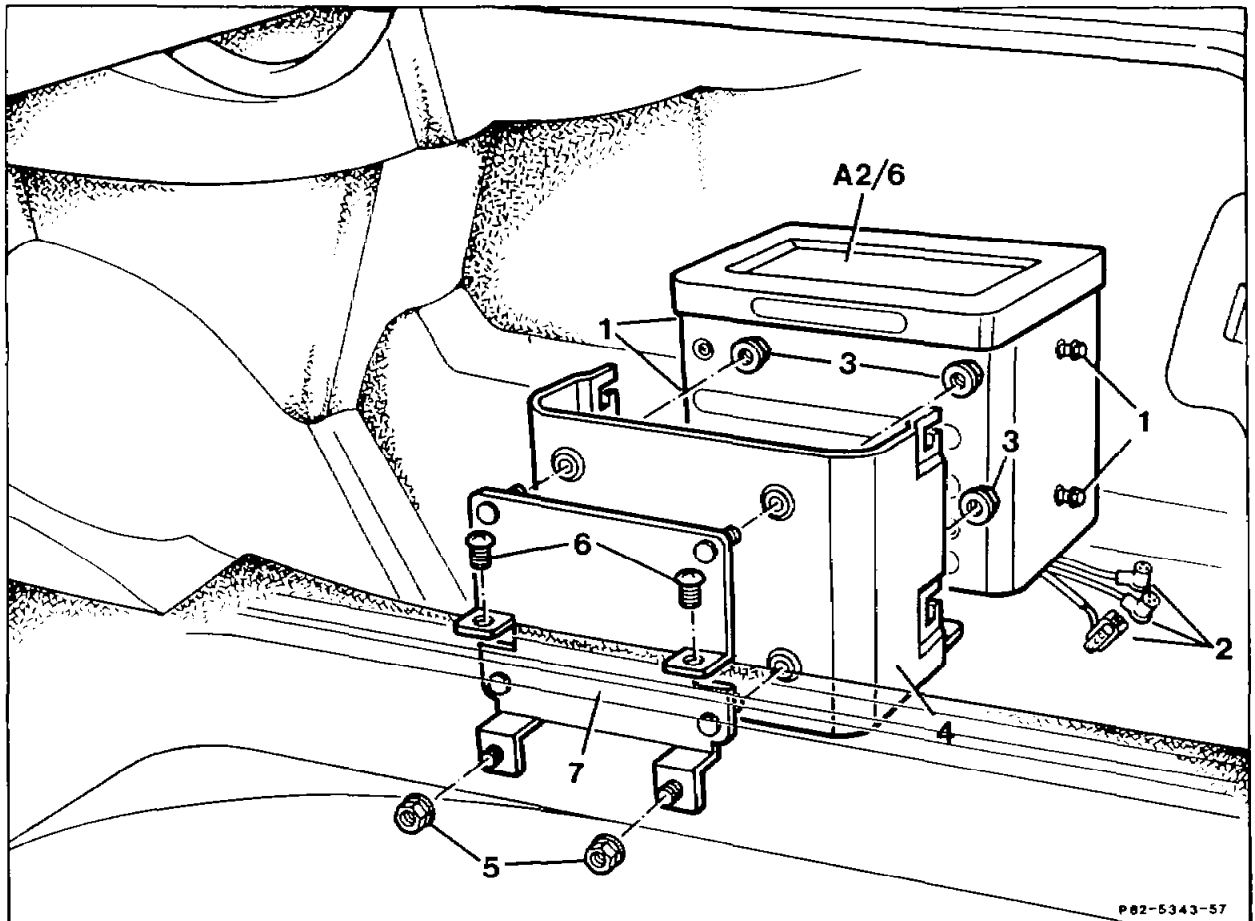


## 82-7507 Removing and Installing CD player with changer

Operation no. of operation texts and work units or standard texts and flat rates:

### A. Changer for ten CDs, sedan and coupe (except model 124.034/036)

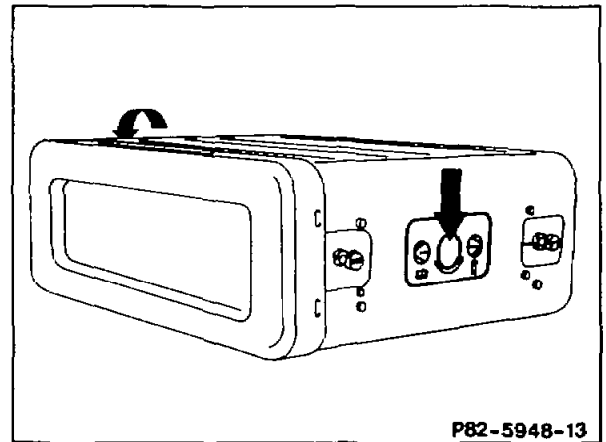


Ground cable at battery .....	disconnect, connect (pay attention to step 2).
Screws (1) .....	slacken, tighten.
CD player with changer (A2/6) .....	remove, insert (pay attention to step 1).
Electrical connections (2) .....	unplug, plug in.
Nuts (3) .....	unscrew, screw in.
Holder (4) .....	remove, insert.
Spare wheel .....	remove, insert.
Nuts (5) .....	unscrew, screw in.
Screws (6) .....	unscrew, screw in.
Additional bracket (7) .....	remove, insert.



1 When replacing the CD changer, pay attention to the installation position; correct if necessary by removing the rubber cap on the left and right sides (arrows) and setting with the adjusting screws.

horizontal = installation position horizontal  
vertical = installation position vertical



#### Note

2 After connecting the battery, the following fault may occur:

CD store is no longer ejected or does not lock.

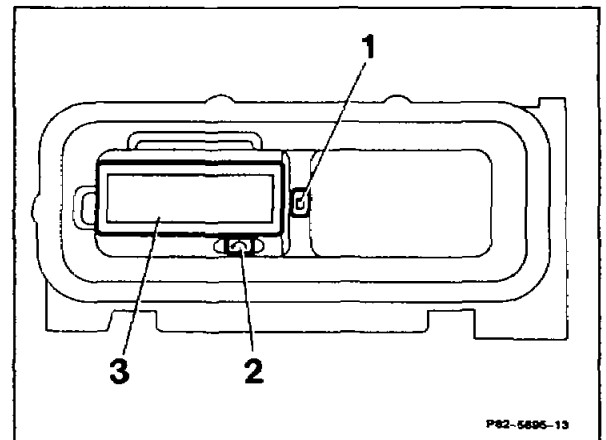
#### Cause

The cause is a faulty mode detection in the CD changer.

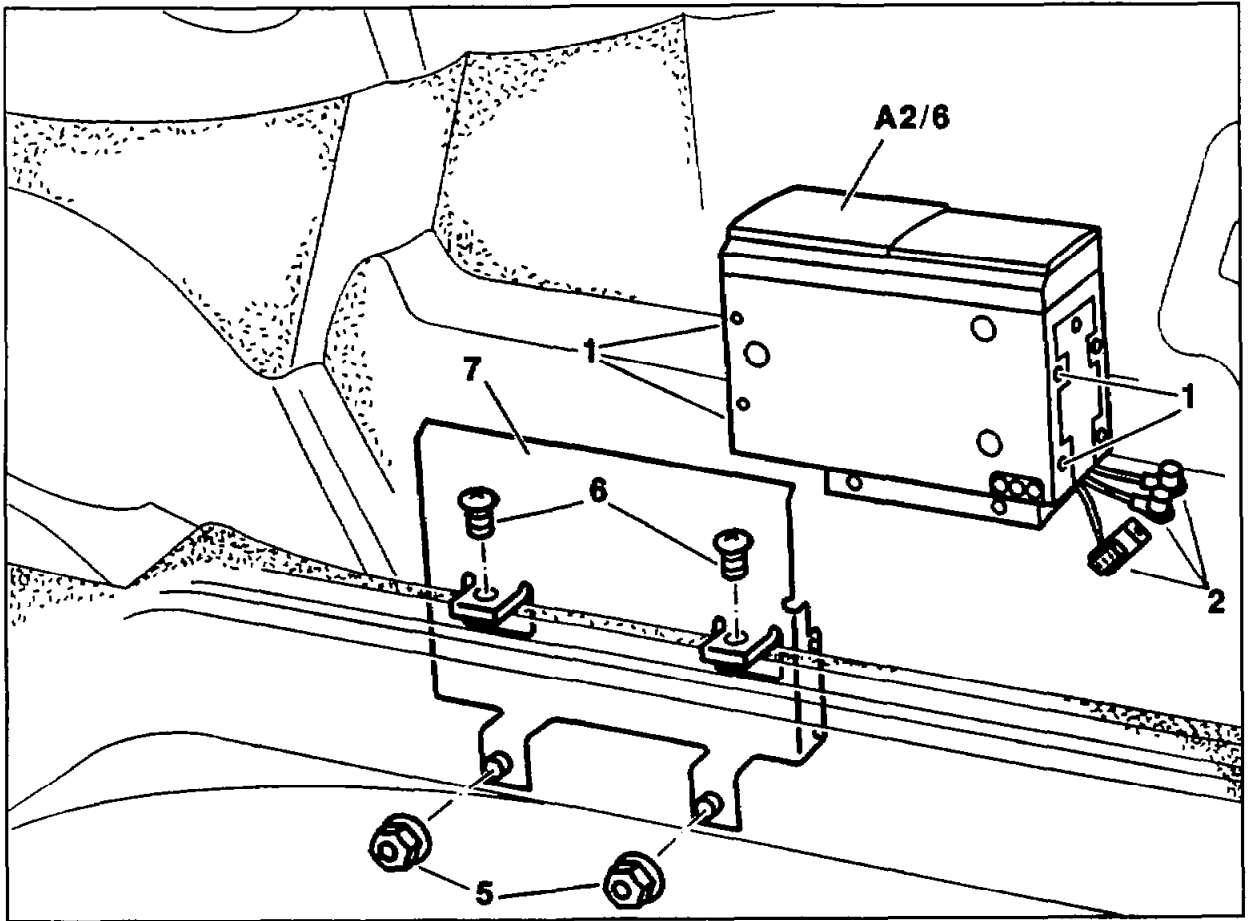
#### Remedy

Disconnect battery again. Open door of magazine (1). Press magazine eject button (2), hold pressed and connect battery at the same time.

The magazine eject mechanism is activated automatically and the magazine (3) is ejected. Press in magazine (3) and close door (1). Perform functional check of CD player.



**B. Changer for six CDs, sedan and coupe (except model 124.034/036)**

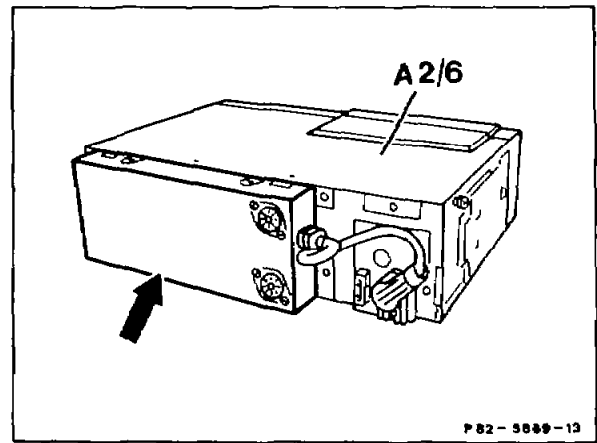


P82-8398-57

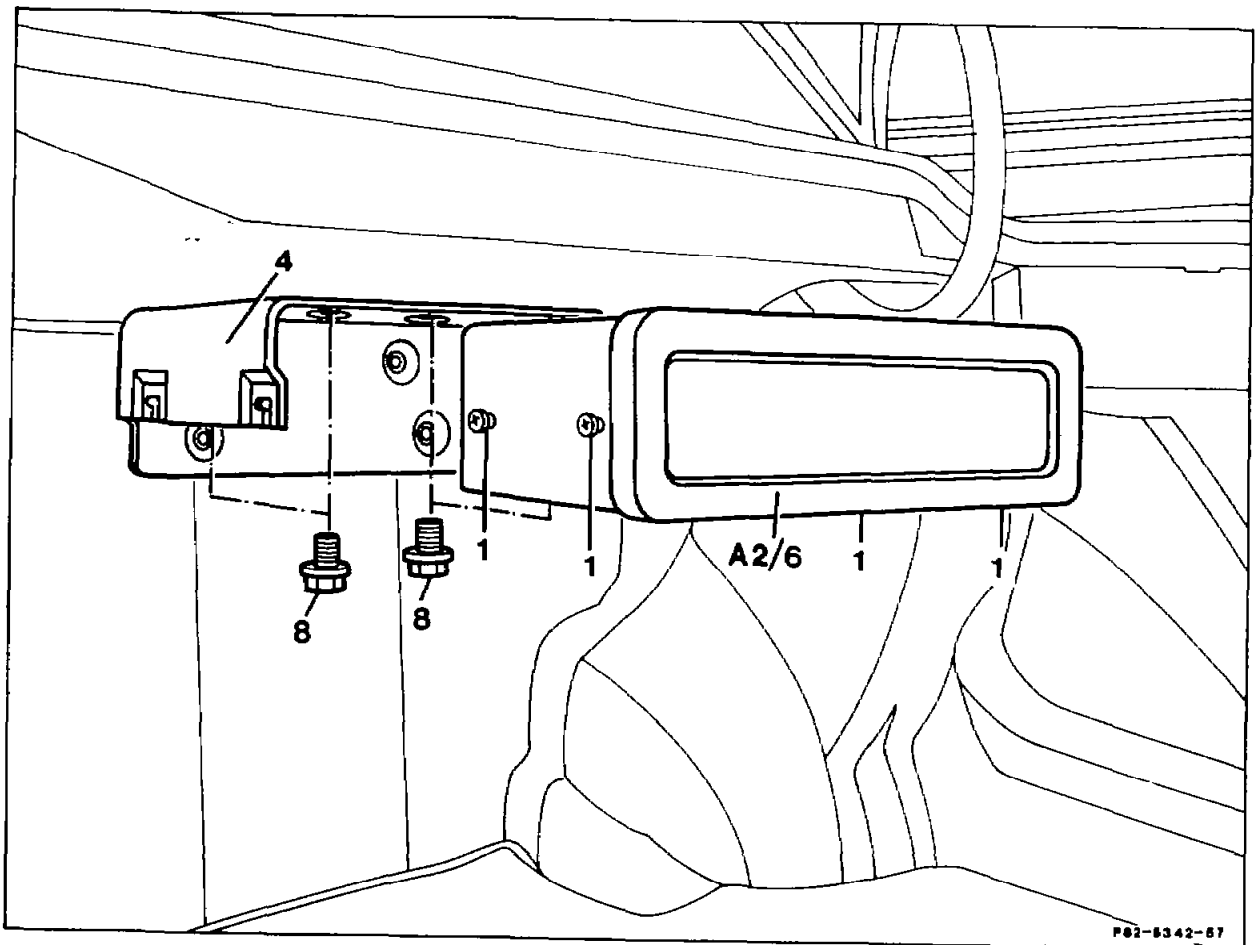
Battery ground cable .....	disconnect, reconnect.
Screws (1) .....	screw out, screw in.
CD player with changer (A2/6) .....	remove, install.
Electrical connections (2) on CD player with changer (A2/6) .....	disconnect, reconnect.
Screws (6) .....	screw out, screw in.
Nuts (5) .....	screw off, screw on.
Bracket (7) .....	remove, install.

**Note**

An adapter (interface, arrows) is installed on the CD player with changer (A2/6) for adaptation to the Becker Grand Prix and Mexico radios (up to approx. 09/93). The buttons on the radio are used for control.



**C. Changer for ten CDs, sedan model 124.034/036**



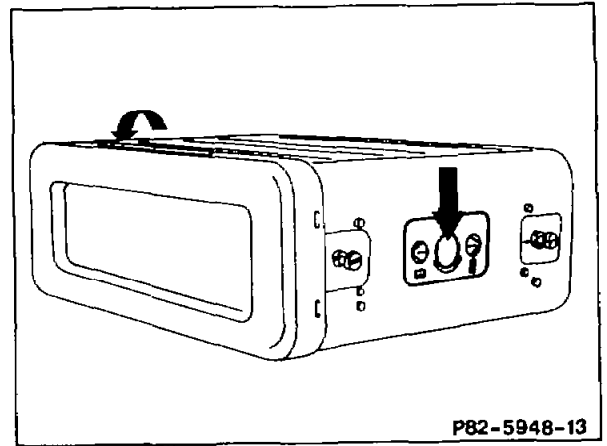
Battery ground cable .....	disconnect, reconnect (observe item 2).
Screws (1) .....	loosen, tighten.
CD player with changer (A2/6) .....	remove, install (observe item 1).
Electrical connections .....	disconnect, reconnect.
Screws (8) .....	screw out, screw in.
Bracket (4) .....	remove, install.



1 When replacing the CD changer pay attention to the installation position, correct, if required. For this purpose remove rubber caps (arrows) on left and right sides and adjust with adjustment screws.

Horizontal = horizontal position

Vertical = vertical position



#### Note

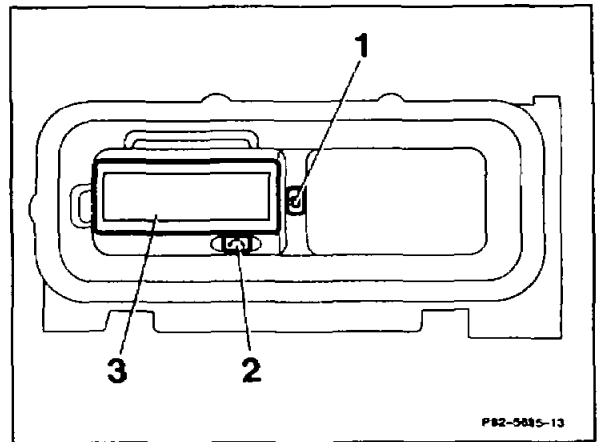
2 The following complaint may occur after reconnecting the battery:  
Magazine no longer ejects or does not catch.

#### Cause

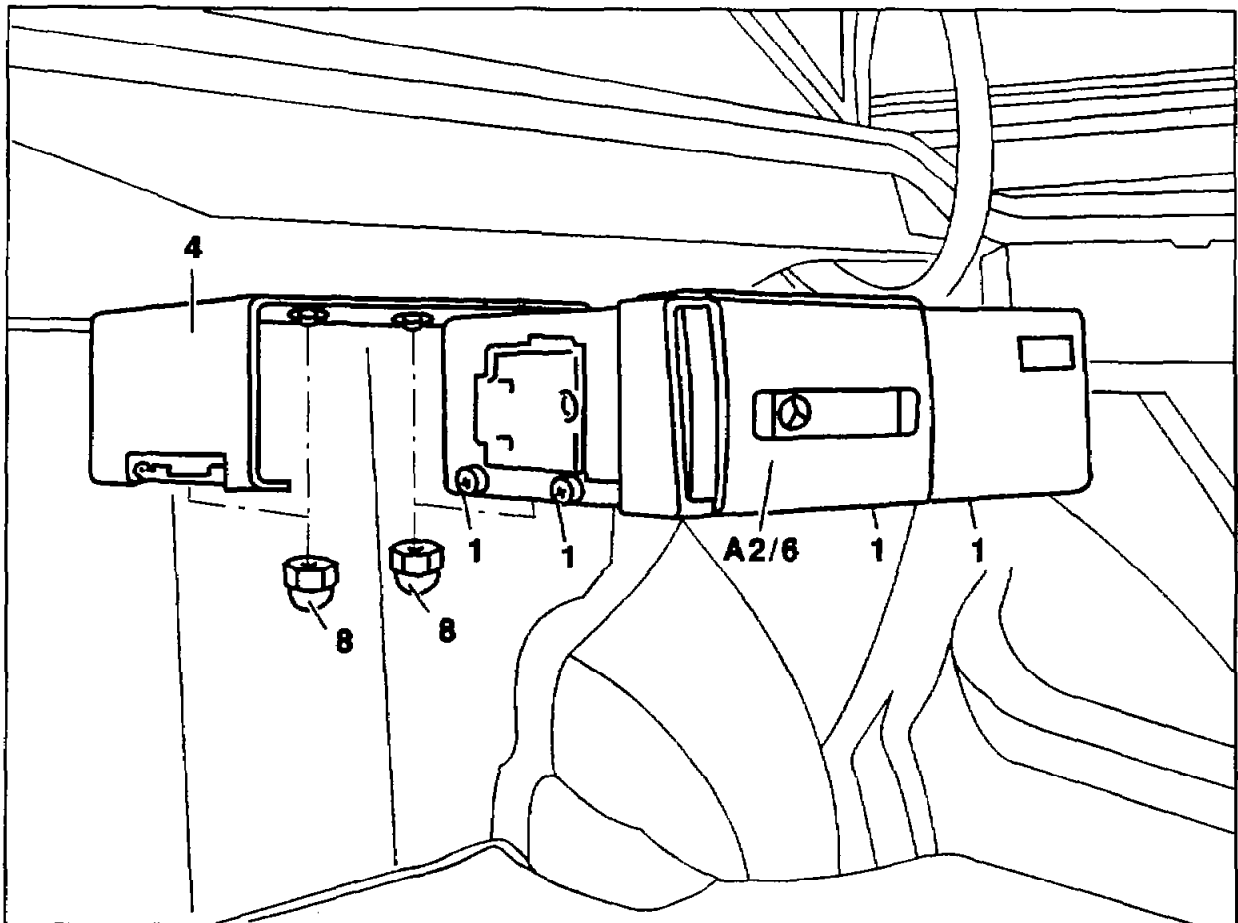
The cause is the erroneous mode recognition in the CD changer.

#### Remedy

Disconnect battery again. Open magazine door (1). Press magazine eject button (2), hold down and simultaneously reconnect battery. The magazine ejection mechanism is automatically activated and the magazine (3) is pushed out. Press magazine (3) in and close door (1). Check CD player for proper function.



D. Changer for six CDs, sedan model 124.034/036

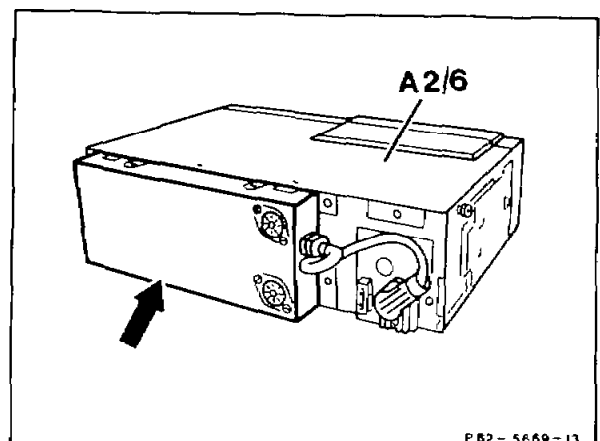


P82-6397-57

Battery ground cable .....	disconnect, reconnect.
Screws (1) .....	loosen, tighten.
CD player with changer (A2/6) .....	remove, install.
Electrical connections .....	disconnect, reconnect.
Nuts (8) .....	screw off, screw on.
Bracket (4) .....	remove, install.

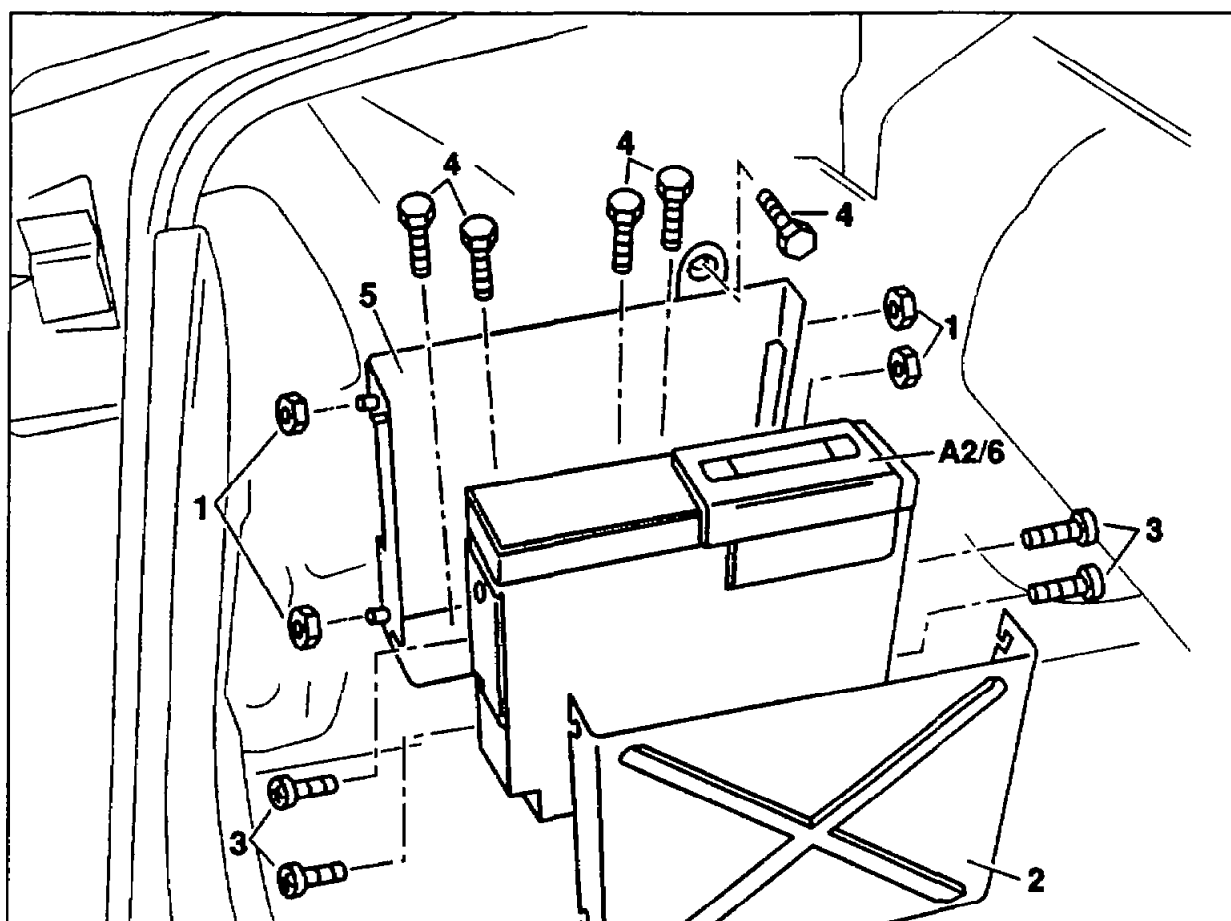
**Note**

An adapter (interface, arrows) is installed on the CD player with changer (A2/6) for adaptation to the Becker Grand Prix and Mexico radios (up to approx. 09/93). The buttons on the radio are used for control.



P 82 - 5669 - 13

**E. Changer for six CDs, convertible model 124.061/066**



P82-6398-57

Battery ground cable .....	disconnect, reconnect.
Nuts (1) .....	screw off, screw on.
Cover (2) .....	remove, install.
Screws (3) .....	screw out, screw in.
CD player with changer (A2/6) .....	remove, install.
Electrical connections on CD player with changer (A2/6) .....	disconnect, reconnect.
Screws (4) .....	screw out, screw in.
Bracket (5) .....	remove, install.



**Note**

An adapter (interface, arrows) is installed on the CD player with changer (A2/6) for adaptation to the Becker Grand Prix and Mexico radios (up to approx. 09/93). The buttons on the radio are used for control.

