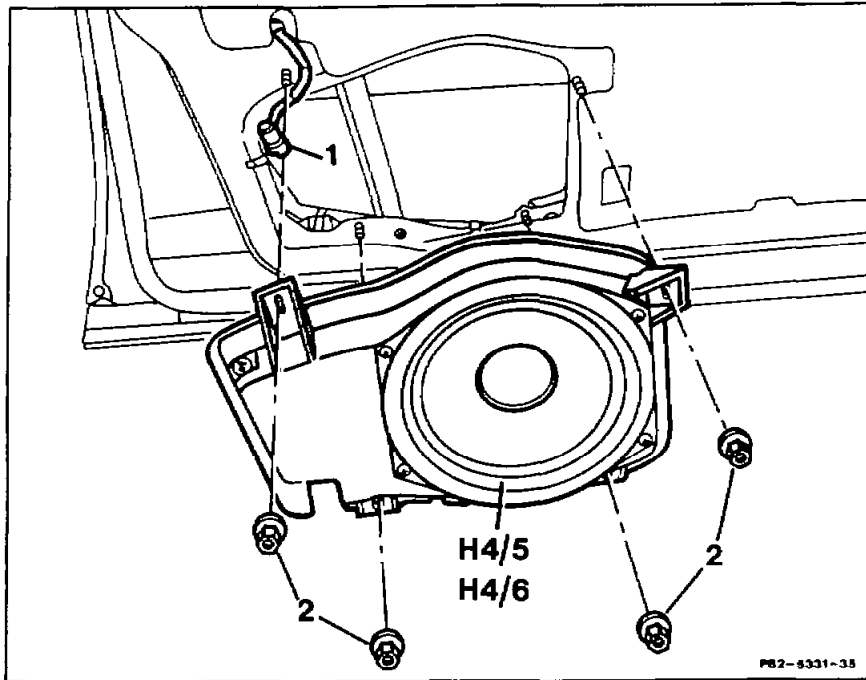


82-7845 Removing and installing speakers in front doors

Preceding work:

Removing and installing door trim on driver's door (72-100).

Operation no. of operation texts and work units or standard texts
and flat rates: 82-7845, 82-7846



Loudspeaker cable (1)	unplug, plug in.
Nuts (2)	unscrew, screw in.
Speakers (H4/5, H4/6)	remove, insert.