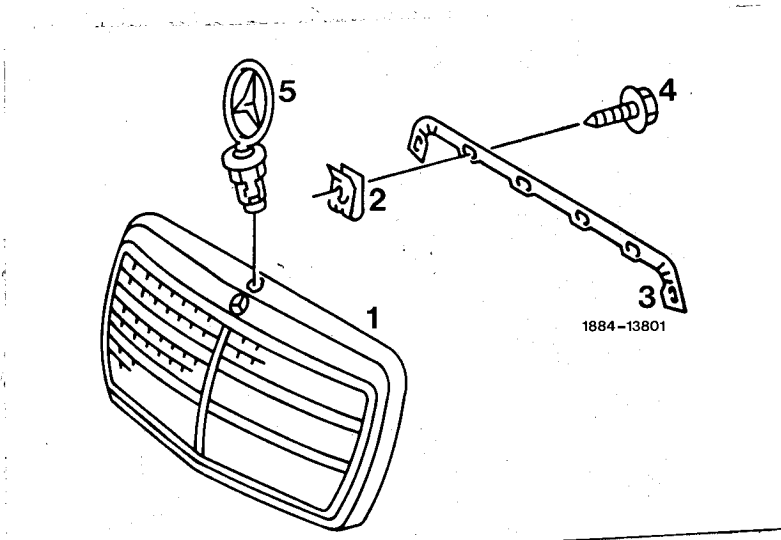


88-400 Removal and installation of radiator cowling

1st version (up to 06/93)

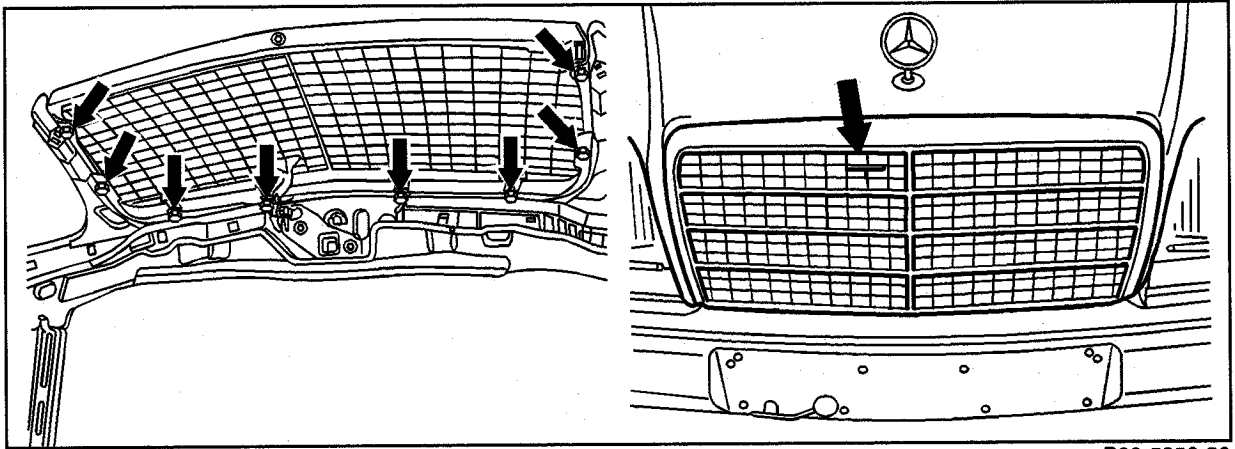


- | | |
|----------------------------|--------------------|
| Engine hood | open, close. |
| Screws (4) | unscrew, screw in. |
| Radiator cowling (1) | remove, install. |

Note

Glue backing (3) to engine hood before installing radiator cowling.

2nd version (as of 07/93)



P88-5350-53

- | | |
|--|---------------------------------------|
| Engine hood | open. |
| Screws (arrows) on radiator cowl | unscrew. |
| Radiator cowl | remove from engine hood toward front. |

Note

When installing insert handle (arrow) for safety catch into radiator cowl.

- | | |
|-----------------|--------------------|
| Reinstall | in opposite order. |
|-----------------|--------------------|