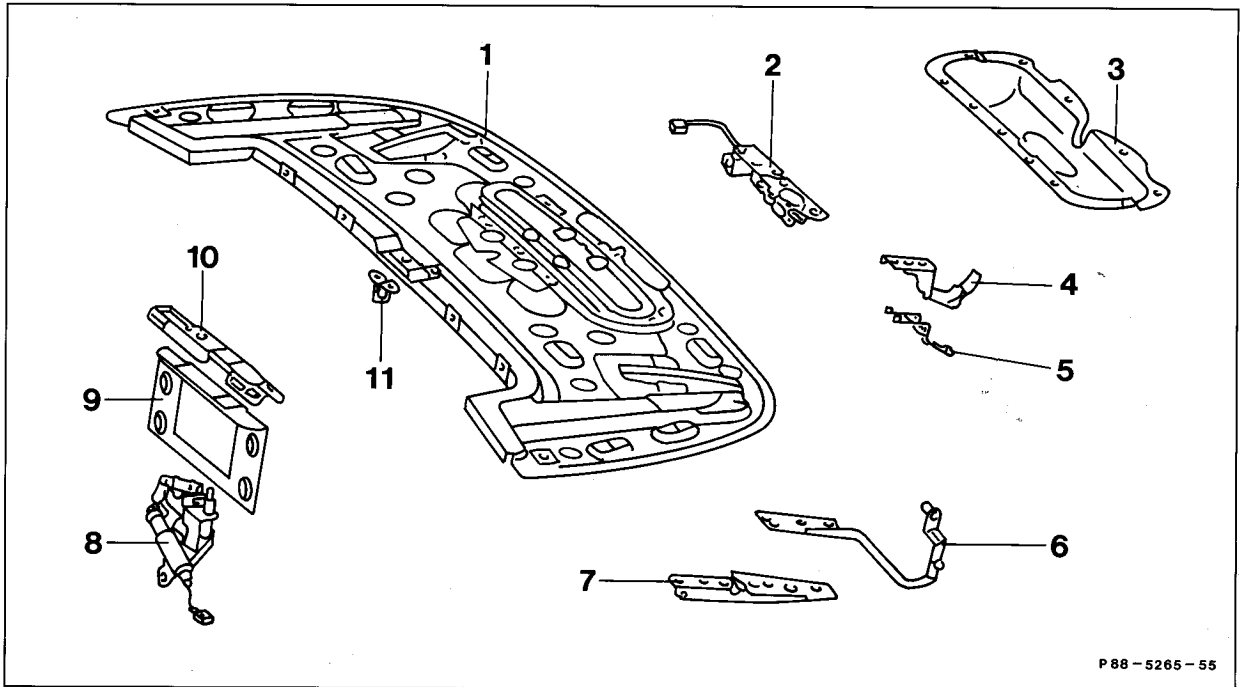


88-600 Removal, installation and adjustment of soft top compartment cover (convertible)



P 88-5265-55

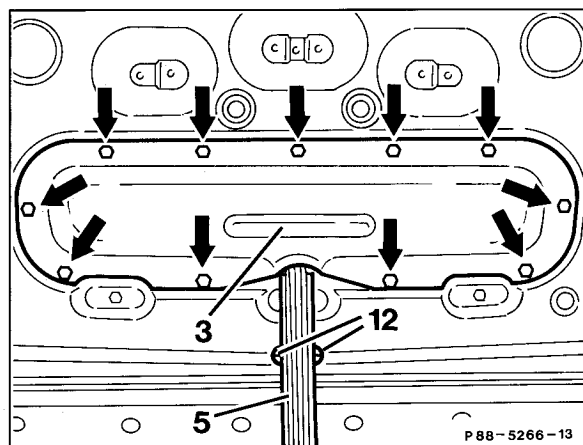
Trunk lid	cover with protective cover to avoid damage to paint when removing the soft top compartment cover.
Soft top compartment cover (1)	open.
Position of hinge levers	mark on soft top compartment cover to facilitate reinstallation.
Screws on cover (3)	remove (11 each).
Cover (3)	remove.
Expanding rivets on cover (5)	unclip (2 each).
Cover (5)	remove.
Screws on catch (2)	screw out (4 each).
Catch (2)	lay down in soft top compartment with lines connected.
Soft top compartment cover	have second person hold in position.
Nuts on hinge lever	unscrew (6 each).
Soft top compartment cover (1)	remove with help of second person.
Reinstall	in opposite order.
Adjustment of soft top compartment cover (1) ...	check, adjust, if required.

2000-2001 88-600-600/1

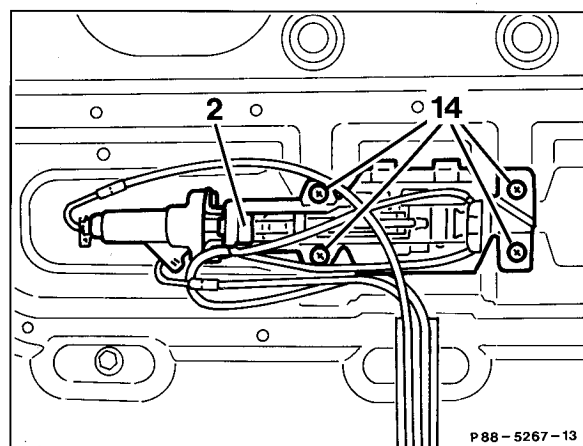
Removal, installation, adjustment

- 1 Cover trunk lid with protective cover to avoid damage to paint when removing the soft top compartment cover.
- 2 Open soft top compartment cover (1).
- 3 Mark position of hinge levers on soft top compartment cover to facilitate reinstallation.

4 Unscrew screws (arrow) in cover (3) (11 each), remove cover (3), then unclip expanding rivets (12, 2 each) in cover (5) and remove cover (5).

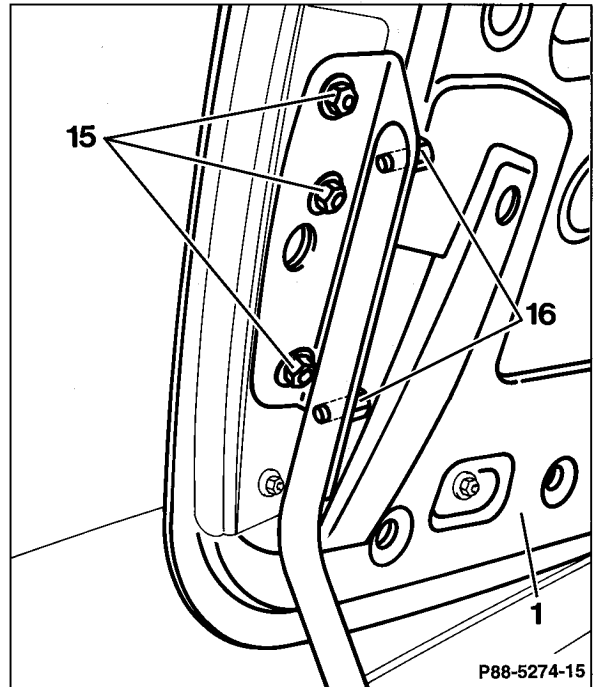


5 Unscrew screws (14, 4 each) on soft top catch (2), lay catch (2) down in soft top compartment with lines connected.



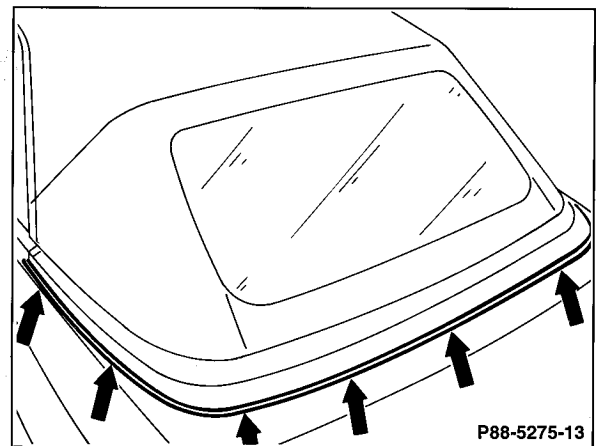
6 Hold soft top compartment cover (1) in position with second person. Unscrew nuts (15) on hinge lever (6 each) and remove soft top compartment cover (1) with help of second person.

7 Reinstall in opposite order.

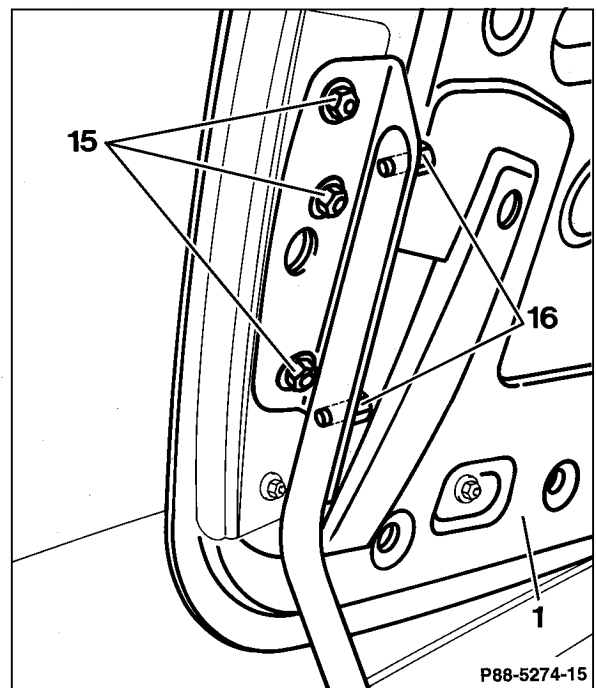


Adjustment

8 Center soft top compartment cover so that the gap is uniform all the way around and it is flush with the soft top compartment (check with soft top closed).



9 Adjust in longitudinal direction with nuts (15) and height with screws (16) on hinge lever. Adjust height **at front** with soft top compartment catch.



3/24/2013 10:00 AM

10 Adjust height at rear **at center** in area of soft top catch. When the soft top is put up and the soft top compartment cover (1) closed it should be approx. 1 mm lower than the soft top compartment (17).

The tension force on the soft top ensures that it is flush when the soft top is closed.

The height can be adjusted in the trunk on the rear wall of the soft top compartment after partially removing the lining in the trunk. Loosen nuts (20) and adjust height of soft top compartment cover with stop (19).

