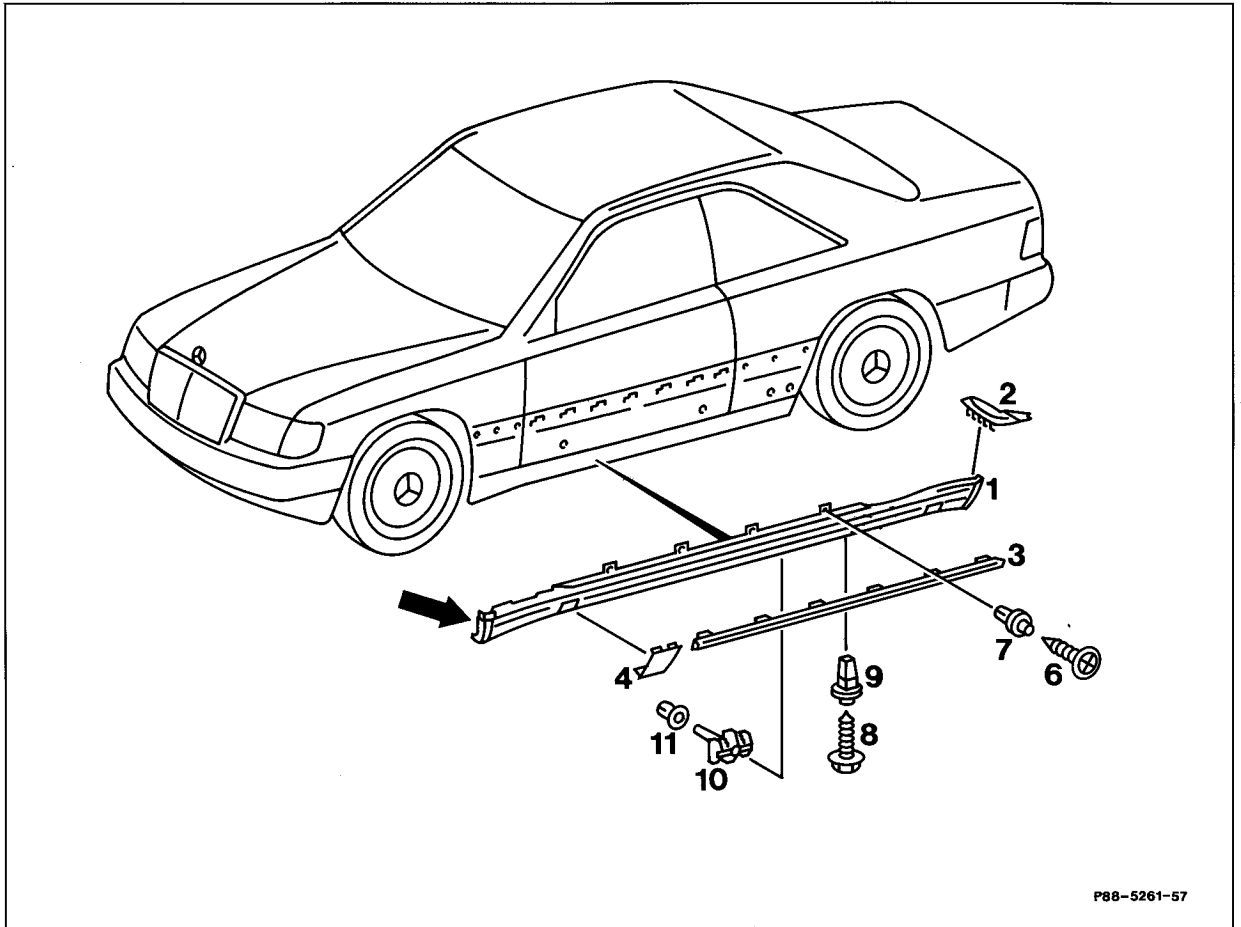


88-830 Removal and installation of trim on frame side member (coupe)

Trim above entrance removed.
Trim at side panelling removed (88-800).



P88-5261-57

Screw (6)	screw out (4 each).
Screw (8)	screw out (10 each).
Trim panel (1)	pull out of clip bottom section (11).
Panel (1)	remove together with sealing tubing (3) and cover (2).
Before installing the trim panel (1)	check clips (10) and clip bottom sections (11) and replace, if required.
Sealing tube (3)	clip onto trim panel (1).
Plastic expanding anchors (7 and 9)	insert with MB universal sealant.
Cover (2)	clip into trim panel (1).

- When installing the trim panel (1) first attach at rear along wheelhouse and simultaneously insert clips (10, 10 each).
- Trim panel (1) hook into clip bottom section (11) from front toward rear. Ensure that the inner fender at the front is positioned **below** the trim panel (1, arrow).
- Screws (6 and 8) screw in.
- Side wall panelling and panelling below entry install.