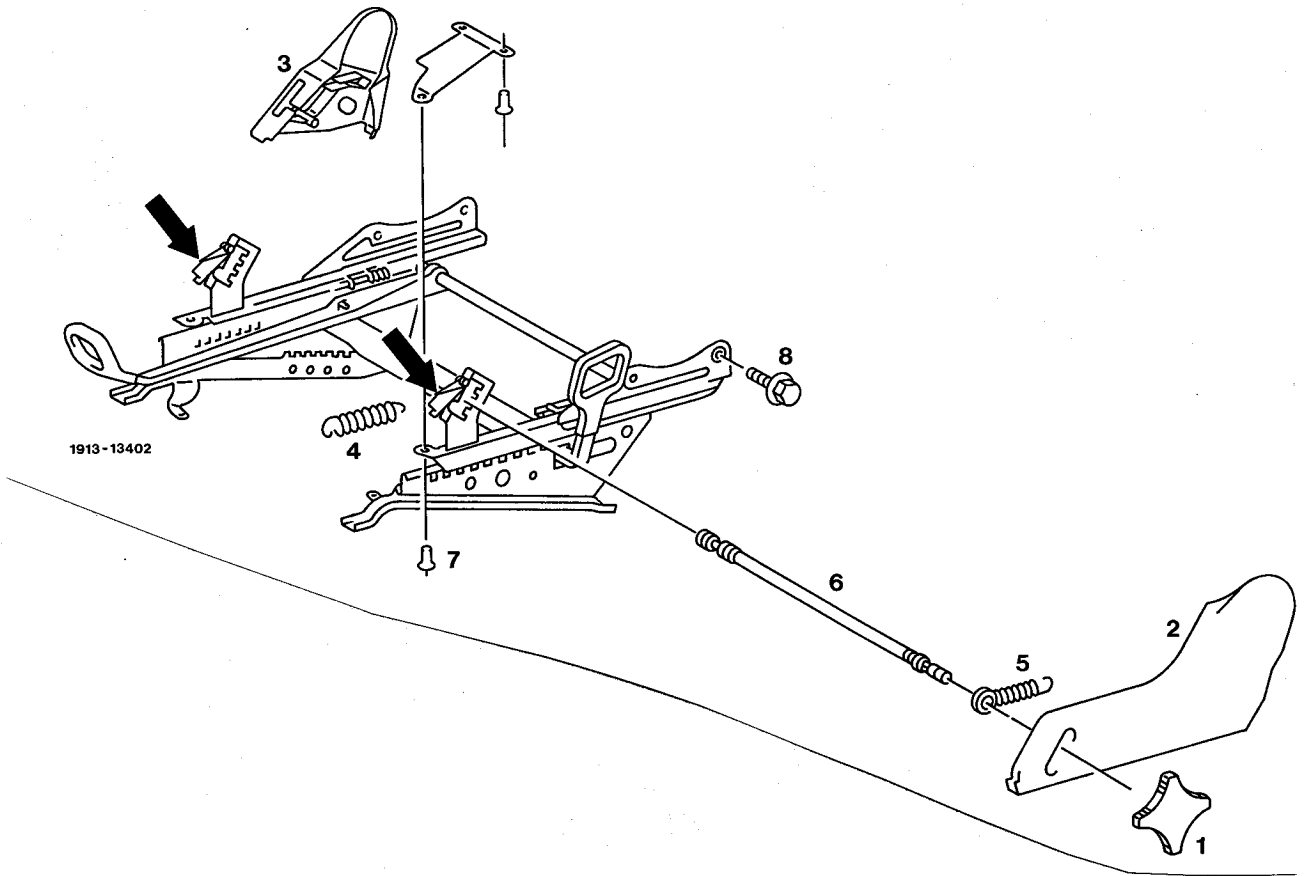


91-145 Removal and installation of driver's seat height adjustment



Driver's or front passenger seat	remove and install (91-100 or 91-110).
Handwheel (1), trim parts (2) and (3)	force off
Spring (4) and (5)	remove - install 2 each
Lock (arrows)	disengage and remove and install shaft (6) for adjusting tilt
Rivet (7)	drill out 1 each; during installation, replace rivet with screw M6x10 and nut M6
Screw (8)	remove and install 4 each on backrest fitting and remove driver's backrest
Seat height adjustment of cushion frame	remove

For installation proceed vice versa.