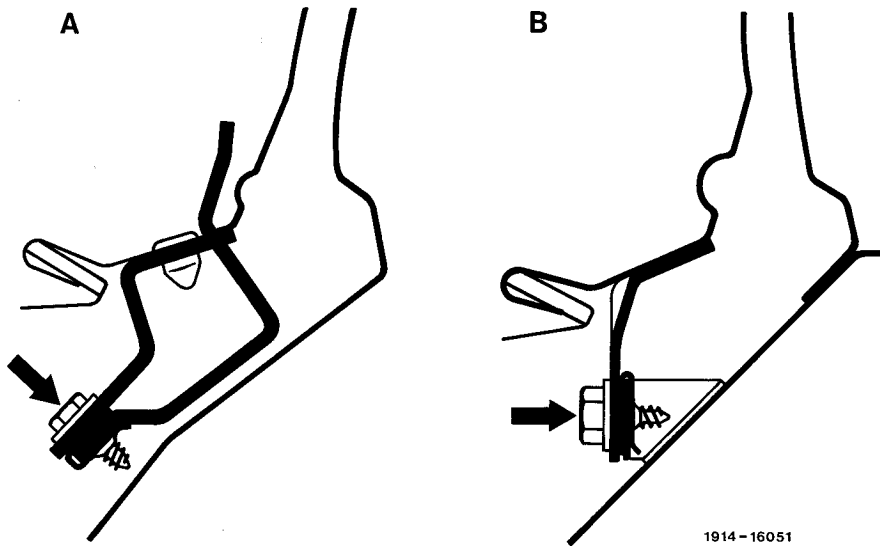


91-173 Modification of rear seat backrest mounting (coupe)

Note

A modified backrest mount has been installed since January 1988.

When replacing the backrest frame or vehicle floor the versions are interchangeable (figure).

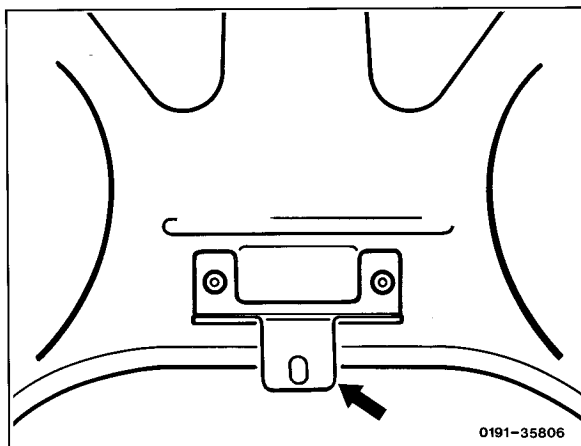


A Version up to 01/88

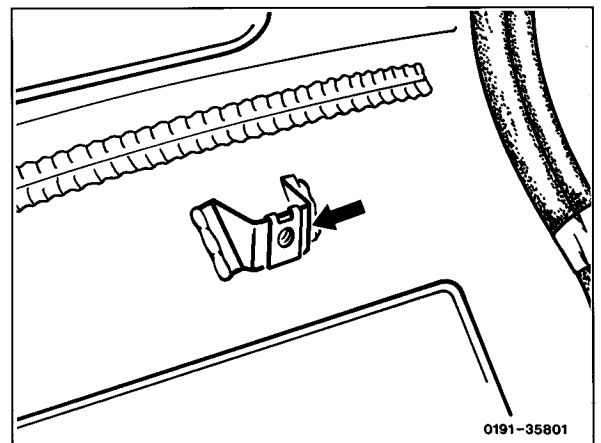
B Version as of 01/88

Possible repair versions

Version 1



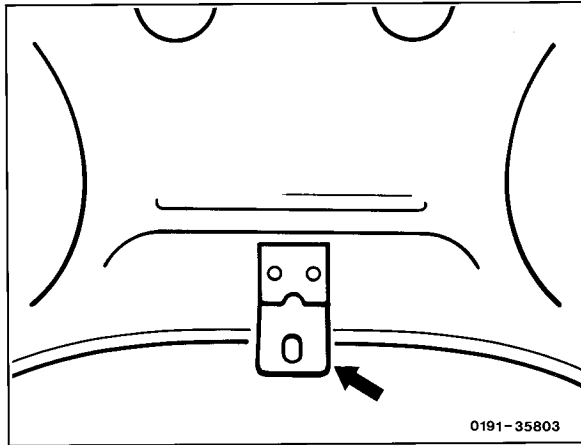
Previous mount on backrest frame



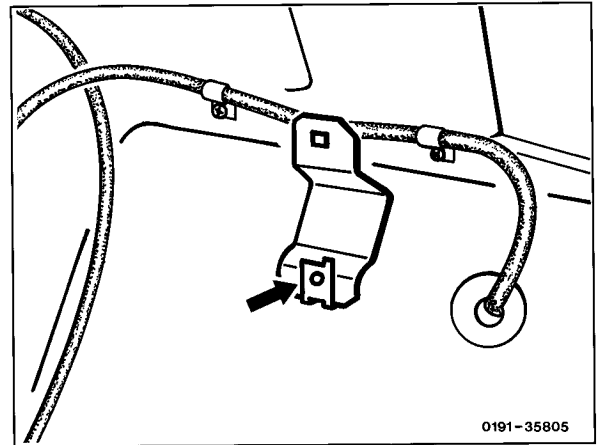
Modified bracket on vehicle floor

91.7-173/1

Version 2



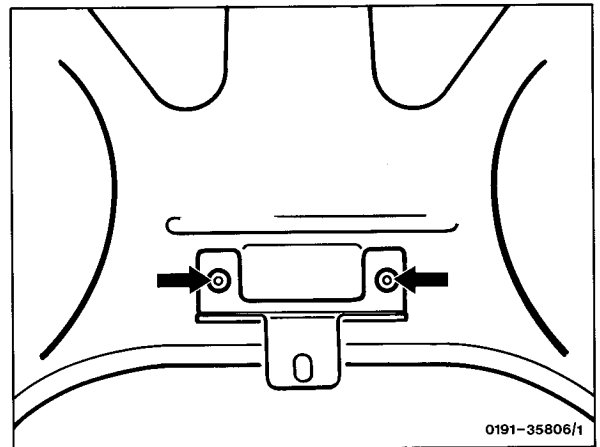
Modified mount on backrest frame



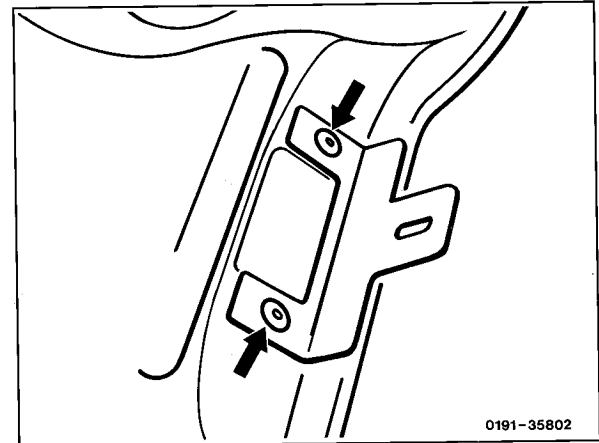
Previous bracket on vehicle floor

Procedure, version 1

1 Remove present mount on backrest frame. For this purpose drill out rivets and remove mount (fig., arrows).

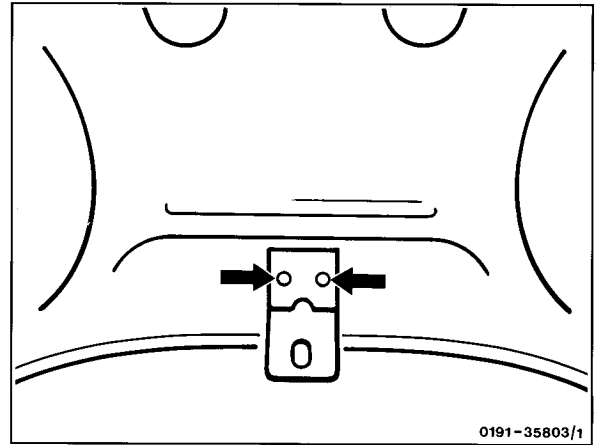


2 Rivet new mount, part no. 124 923 06 14 onto backrest frame and fasten backrest frame to bracket on vehicle floor with 4.8 x 16 screws and clips, part no. 000 994 06 45 (fig., arrows).

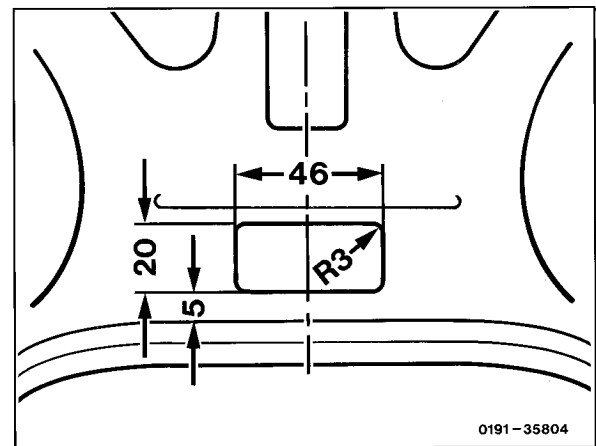


Procedure, version 2

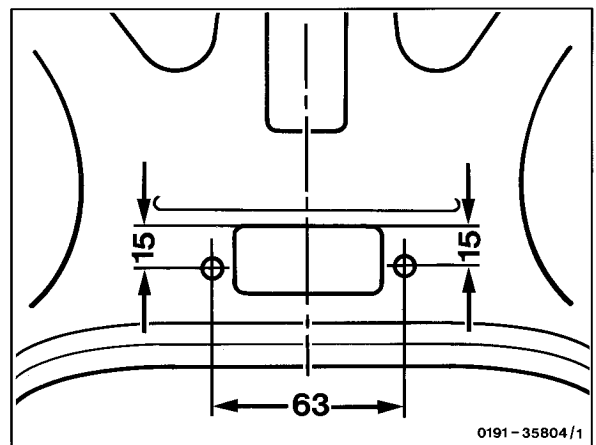
1 Remove mount welded onto backrest frame by drilling out spot welds (fig., arrows).



2 Cut hole in backrest frame as shown in figure.



3 Mark two holes on backrest frame for new mount, part no. 124 923 05 14, centerpunch and drill with 5 mm dia. bit (fig.).



4 Fasten new mount to backrest frame with rivets, part no. 910 003 00 41 40 (2 each, fig., arrows).

5 When installing the rear backrest fasten to bracket on vehicle floor with 4.8 x 16 screws and clips, part no. 000 994 93 45.

