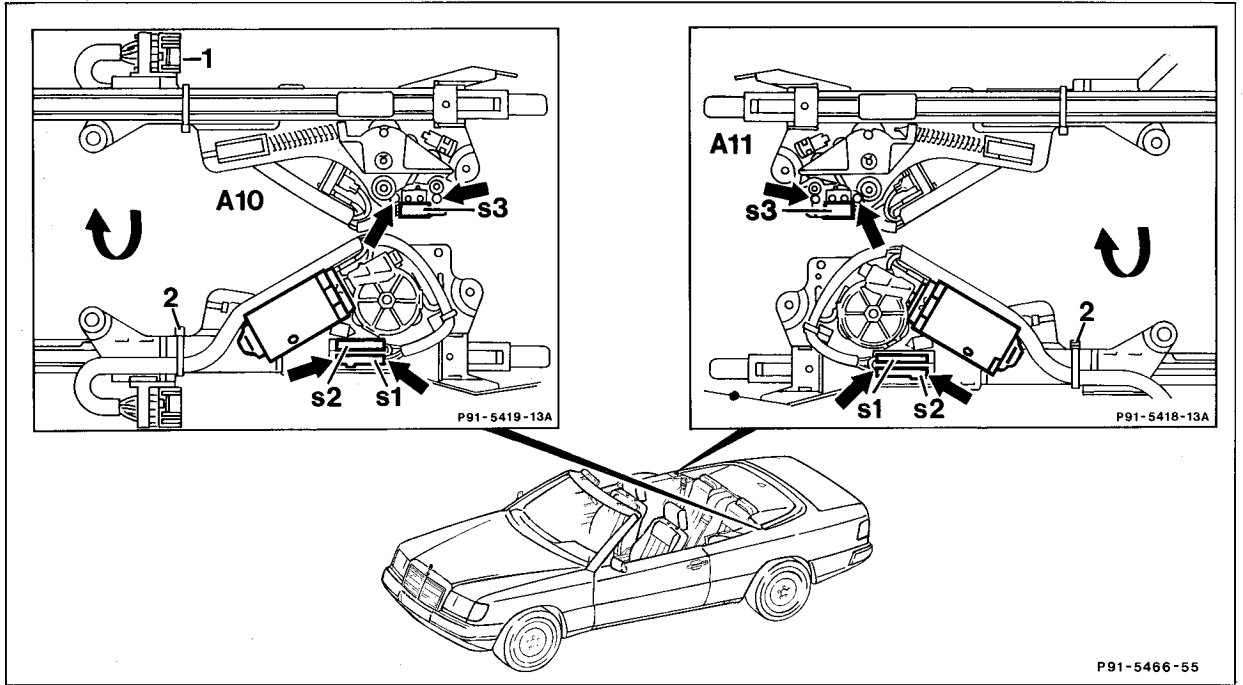


91-515 Removal and installation of seat belt extender microswitch complete with lead

Preliminary work:
Seat belt extender removed (91-508)



- A10 and A11 Seat belt extender left and right
- A10s1 and A11s1 Extender arm retracted switch
- A10s2 and A11s2 Extender arm extended switch
- A10s3 and A11s3 Force limit switch

- | | |
|---|----------------------|
| Plug connection (1) on control unit | disconnect, connect. |
| Cable strap (2) | open, close. |
| Flat plug connections on motor | disconnect, connect. |
| Screws (arrows) for microswitch | screw out, screw in. |

Note

Secure mounting screws for microswitch with screw securing paint.

- | | |
|------------------------------------|----------------|
| Plug connection (1) on mount | hook, hook in. |
|------------------------------------|----------------|