




<b>G18</b>	WF00.00-X-1000Z	<b>Shop-made tools</b>	<b>9.12.98</b>
------------	-----------------	------------------------	----------------

WF58.50-P-3531-03B	Produce press-on sleeve for tapered roller bearing inner race of drive pinion in accordance with drawing	Models 124, 129, 140, 170, 201, 202, 208, 210	<b>H18</b>
WF58.50-P-3531-04B	Produce press-on sleeve for ABS gear on drive pinion in accordance with drawing.	Model 124, 129, 140, 170, 201, 202, 208	<b>J18</b>
WF58.50-P-3531-01A	Chisel for securing collar nut on joint flange	Model 124, 129, 140, 170, 201, 202, 208, 210, 220	<b>K18</b>

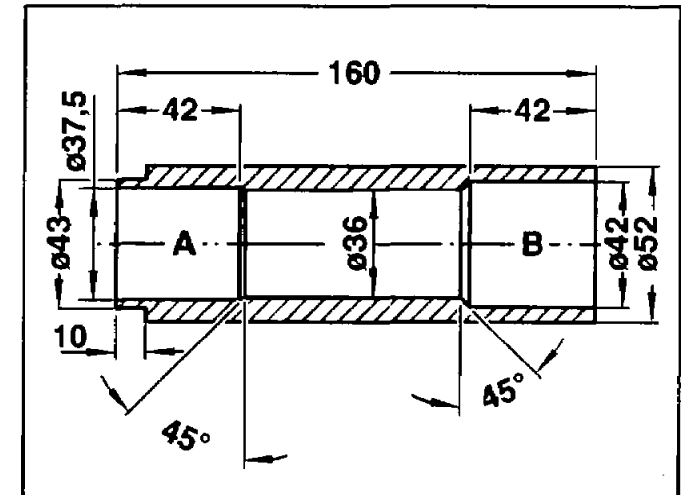


<b>H18</b> WF58.50-P-3531-03B	Produce press-on sleeve for tapered roller bearing inner race of drive pinion in accordance with drawing	Models 124, 129, 140, 170, 201, 202, 208, 210	 WF
-------------------------------	--	---	--

Produce press-on sleeve for tapered roller bearing inner race of drive pinion in accordance with drawing

*A = For 168 mm dia. ring gear*

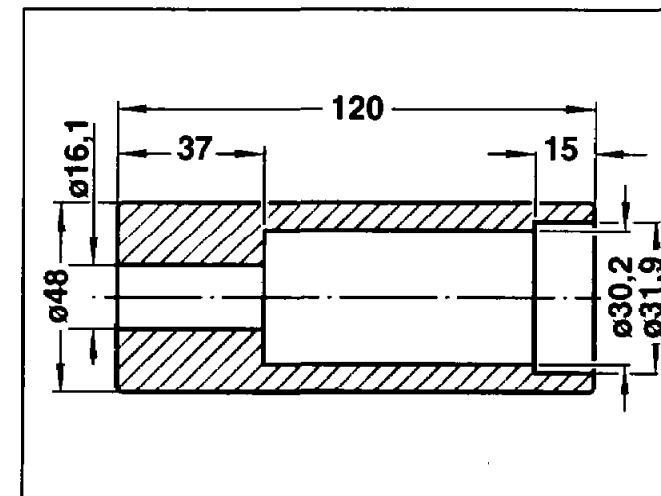
*B = For 185 mm and 210 mm ring gear dia.*






<b>J18</b>	WF58.50-P-3531-04B	Produce press-on sleeve for ABS gear on drive pinion in accordance with drawing.	Model 124, 129, 140, 170, 201, 202, 208	
------------	--------------------	--	---	--

Produce press-on sleeve for ABS gear on drive pinion in accordance with drawing.



P35.31-0390-01

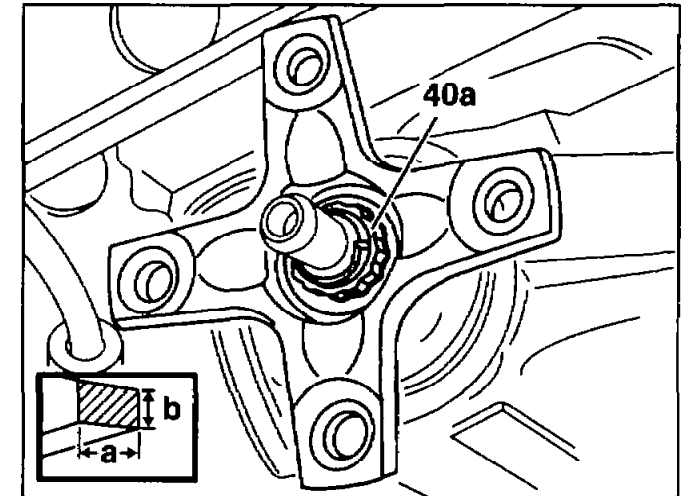


<b>K18</b>	WF58.50-P-3531-01A	Chisel for securing collar nut on joint flange	Model 124, 129, 140, 170, 201, 202, 208, 210, 220	 <b>WF</b>
------------	--------------------	--	---	---

Dimensions for chisel, see fig. cutout at bottom left.

a = approx. 8 mm

b = approx. 4 mm



P35.31-0205-01