

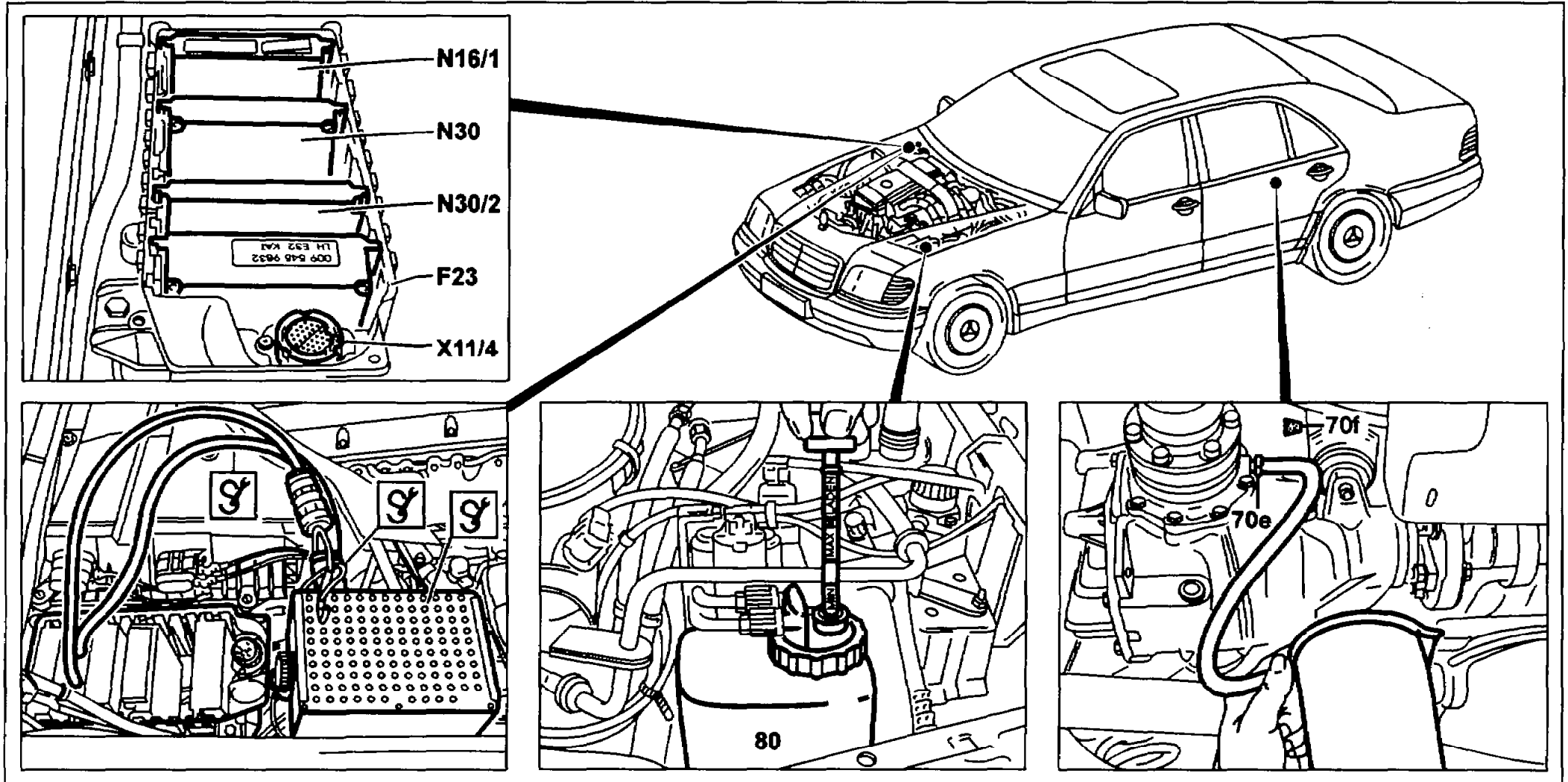
G3

AR35.41-P-0519A

Bleeding ASD hydraulic system

14.7.94



MODEL 140.1 /02 /03 up to 31.5.94 with CODE (211a) Rear axle with automatic locking differential (ASD)

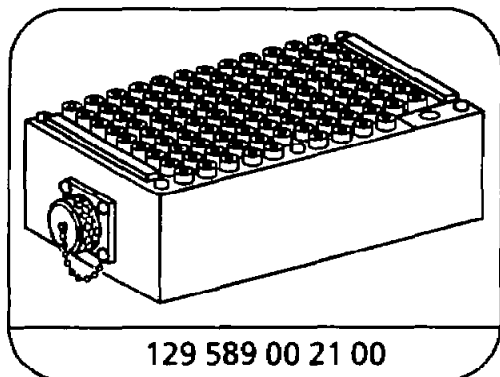




	Removing, installing		
1	Detach end cover on module box (F23)		
2	Remove ASD control unit (N30/2)		140 589 01 33 00
3	Connect contacting module 4 on module box		140 589 04 63 00
4	Connect contacting module 4 with socket box		129 589 00 21 00
5	Bridge sockets 2 and 27 with cable	Cable from electrical connector set When the ignition is switched on, the solenoid valve is actuated by bridging and thus opened.	201 589 00 99 00
Danger!	Risk of accident due to vehicle starting off automatically when engine is running. Risk of injury due to being trapped and burns when intervening during the starting operation or when the engine is running.	Secure vehicle to prevent it from starting off automatically. Wear close-fitting, tight clothing. Do not touch hot or rotating parts.	AS00.00-Z-0005-01A
6	Start engine and allow to idle		
7	Remove rubber cap (70f) on the bleed screw		
8	Open bleed screw (70e) on right ring cylinder	Close bleed screw, when oil escapes without bubbles.	
	Checking		

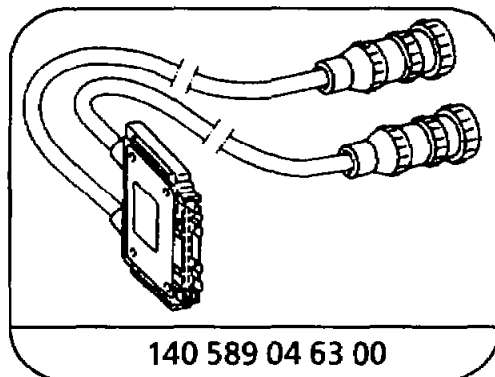


9	Check hydraulic fluid level in reservoir (80)	Correct, if necessary, for type of oil ↓ Hydraulic fluids (Specification 343.0)	BB00.40-P-0343-00A
10	Install in reverse sequence		
 BT	ASD hydraulic unit modified	140.02/03/1 as of 04/91	BT35.41-P-0001-01A E18
 BT	ASD hydraulic unit modified	140.02/03/1 as of 06/92	BT35.41-P-0001-01B F18



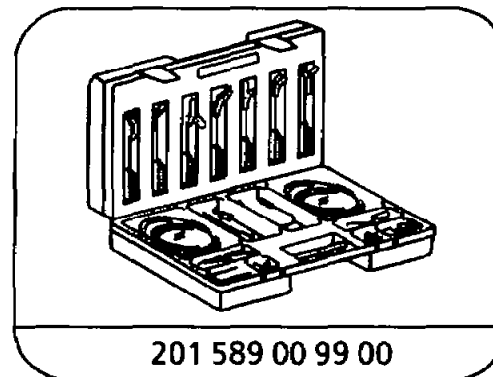
129 589 00 21 00

Socket box



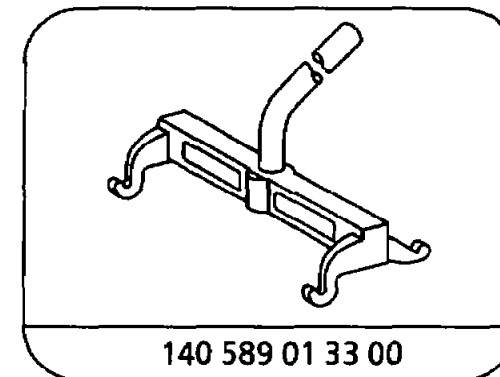
140 589 04 63 00

Contacting module 4



201 589 00 99 00

Electrical connector set



140 589 01 33 00

Assembly lever