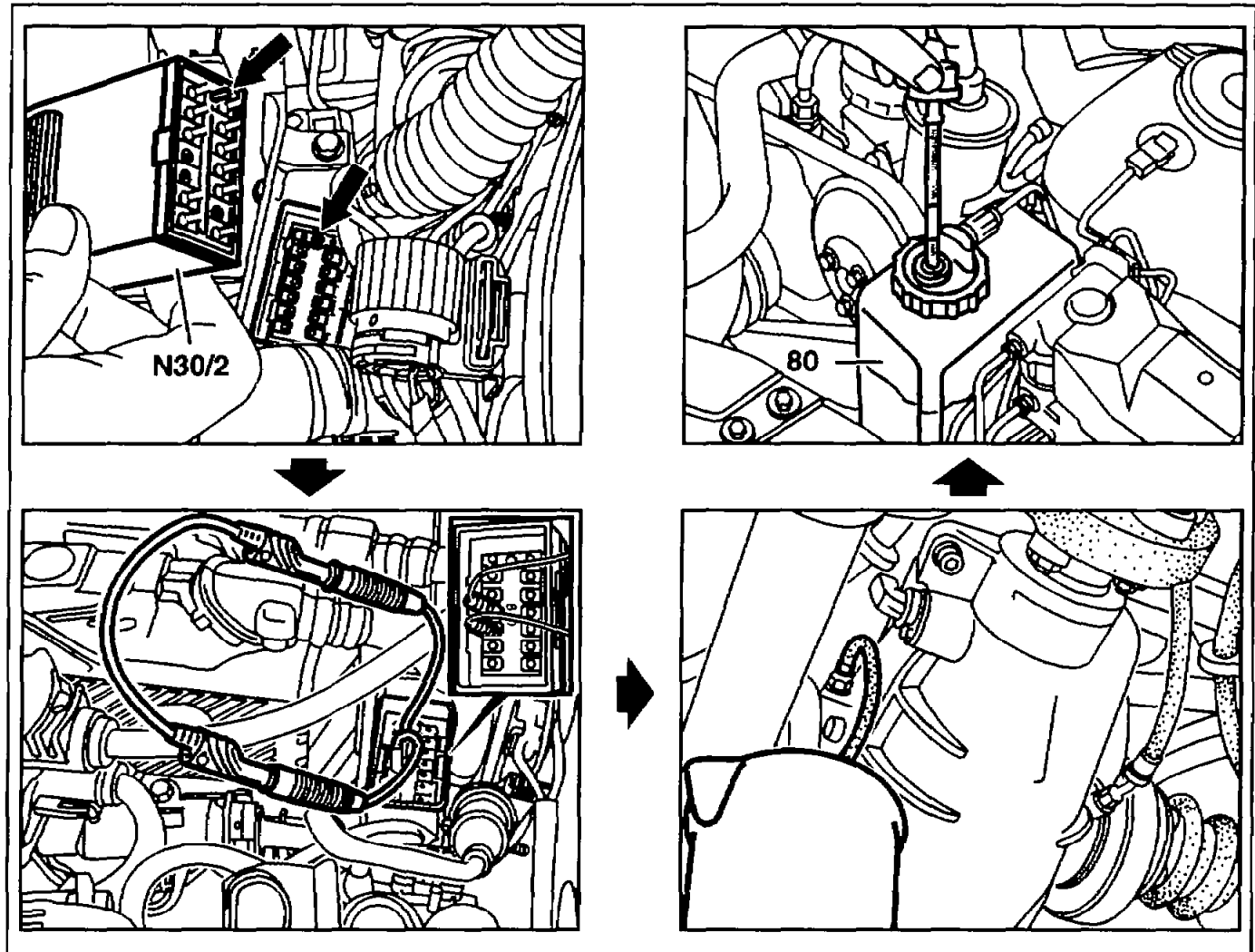


K3	AR35.41-P-0519C	Bleeding ASD hydraulic system	25.8.95
----	-----------------	-------------------------------	---------


MODEL 129, 202 up to 31.5.94 with CODE (211a) Rear axle with automatic locking differential (ASD)

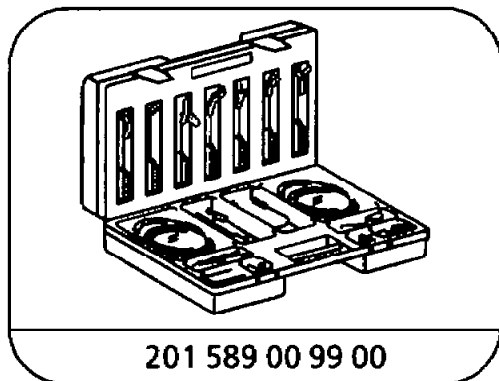




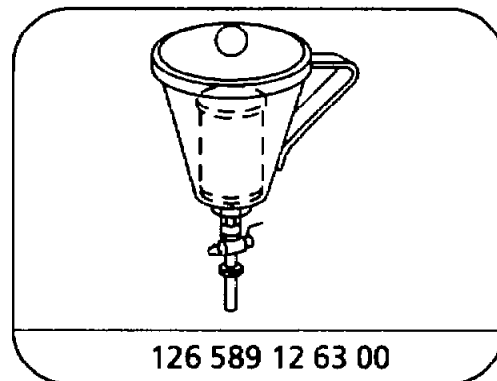
	Removing, installing		
1	Remove ASD control module (N30/2)	Installing: Pay attention to locking pin (arrows) when mounting	
2	Bridge sockets 8 and 10 with cable	Use 2.5 mm dia. cables and 4 mm dia. plug from electrical connector set When the ignition is switched on, the solenoid valve is actuated by bridging and thus opened.	201 589 00 99 00
Danger	Risk of accident due to vehicle starting off automatically when engine is running. Risk of injury due to being trapped and burns when intervening during the starting operation or when the engine is running. 3 Start engine and allow to idle	Secure vehicle to prevent it from starting off automatically. Wear close-fitting, tight clothing. Do not touch hot or rotating parts.	AS00.00-Z-0005-01A
4	Open bleed screw on right ring cylinder	Close bleed screw when oil escapes without bubbles.	
	Checking		
5	Check hydraulic oil level in reservoir (80)	Correct, if necessary, for type of oil: ↓ Hydraulic fluids (Specification 343.0)	126 589 12 63 00 BB00.40-P-0343-00A
6	Install in reverse order		
BT	Modified ASD hydraulic unit	Models 129.060/061 as of 04/91	BT35.41-P-0001-01A E18



 BT	Modified ASD hydraulic unit	Models 129.060/061 as of 06/92	BT35.41-P-0001-01B F18
---	-----------------------------	--------------------------------	-------------------------------



Electrical connector set



Funnel